

# 3-PCS CHECK VALVE WITH WELDED ENDS

## TYPE 381 ISO



armatec

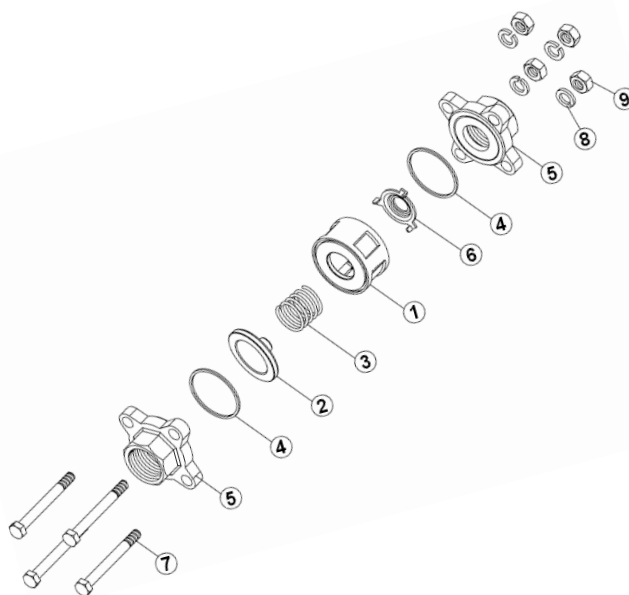


### GENERAL

DIMENSION:	DN8 TO DN50
PRESSURE:	PN63
TEMPERATURE:	-20°C TO 200°C
MATERIAL:	ACID-PROOF STAINLESS STEEL
CONNECTION:	BUTT WELD ENDS - ISO 1127

### OPTION

DIMENSION:	DN65 TO DN100
APPROVALS:	EU1935



POS	DESCRIPTION	MATERIAL
1	BODY	STAINLESS STEEL 1.4408
2	DISC	STAINLESS STEEL AISI 316
3	SPRING	STAINLESS STEEL AISI 316
4	GASKET	PTFE
5	END CAP	STAINLESS STEEL 1.4408
6	GLAND	STAINLESS STEEL AISI 316
7	BOLT	STAINLESS STEEL A2-70
8	SPRING WASHER	STAINLESS STEEL AISI 304
9	NUT	STAINLESS STEEL A2-70

### DESCRIPTION

- **3-piece design** allows for easy inspection and replacement of middle part.
- **The spring activated disc** enables installation in all directions.
- **Material certificate EN10204/3.1** is available because of the traceability on all check valves.

### SUITABLE FOR



INDUSTRY



WATERWORKS



HEATING SYSTEM



COOLING SYSTEM



STEAM

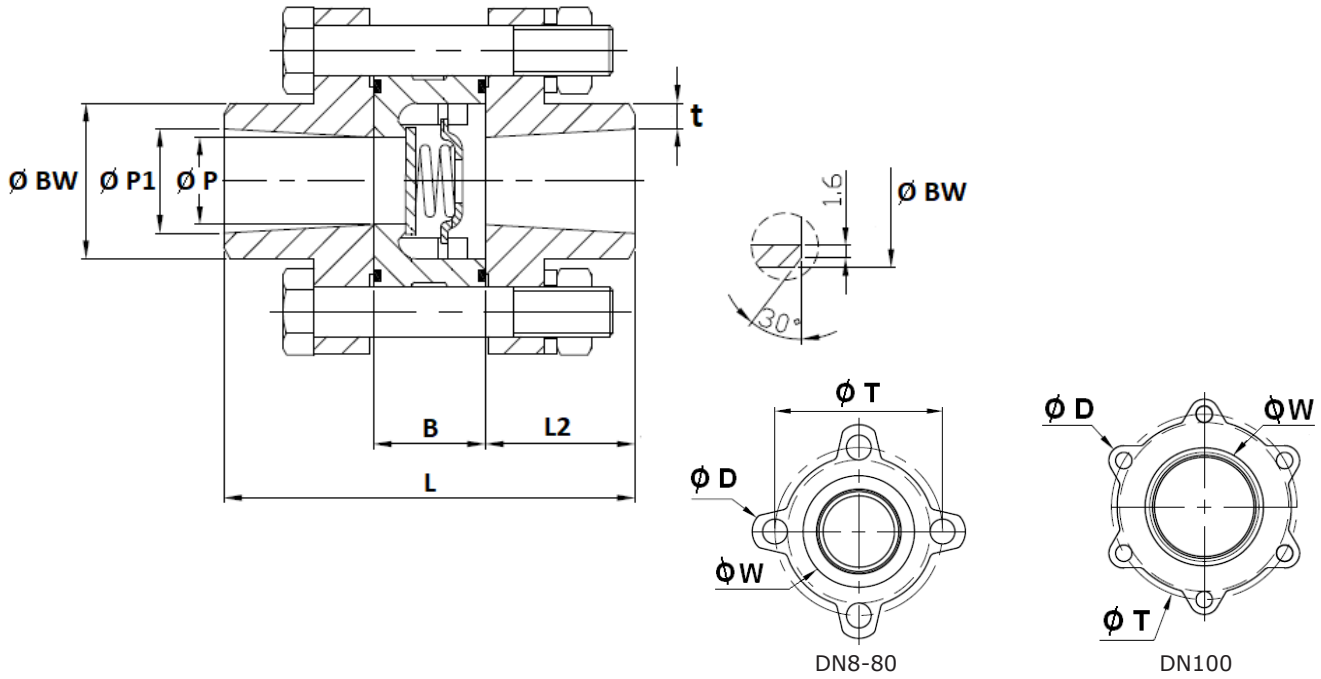


BIOGAS



FOOD

## DIMENSIONS

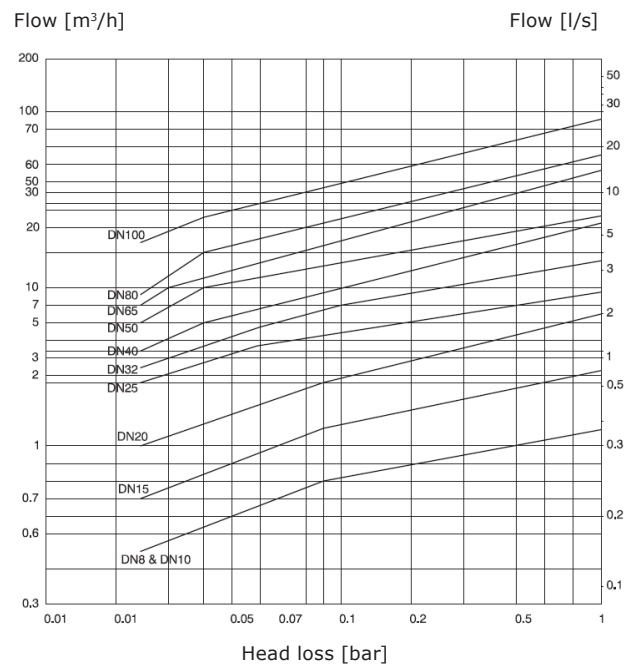


DIM [MM]	Ø P [MM]	Ø P1 [MM]	L [MM]	L2 [MM]	B [MM]	Ø D [MM]	Ø BW [MM]	t [MM]	Ø T [MM]	WEIGHT [KG]
DN 8	10.0	9.5	66.0	24.0	18.0	12.0	13.5	2	36.5	0.3
DN 10	10.0	13.2	66.0	24.0	18.0	12.0	17.2	2	36.5	0.2
DN 15	15.0	17.3	67.0	24.0	19.0	14.0	21.3	2	42.7	0.4
DN 20	20.0	22.9	81.0	28.5	24.0	16.0	26.9	2	51.7	0.5
DN 25	25.0	29.7	89.5	30.0	29.5	16.0	33.7	2	58.7	0.7
DN 32	32.0	37.2	92.0	29.5	33.0	18.0	42.4	2.6	72.7	1.3
DN 40	38.0	43.1	103.5	33.0	37.5	18.0	48.3	2.6	83.7	1.7
DN 50	50.0	54.5	117.0	35.0	47.0	18.0	60.3	2.9	98.7	2.5
DN 65	65.0	70.3	131.5	42.0	47.5	18.0	76.1	2.9	129.0	4.3
DN 80	80.0	82.5	143.5	44.0	55.5	18.0	88.9	3.2	153.5	6.2
DN 100	100.0	107.9	174.5	52.0	70.5	18.0	114.3	3.2	186.5	11.0

## VALVE DATA

DIM	Opening pressure [mbar]			Kv [m³/h]
	▲	▼	►	
DN 8	25	21	23	1.23
DN 10	25	21	23	1.23
DN 15	25	21	23	2.24
DN 20	25	21	23	6.50
DN 25	25	21	23	9.61
DN 32	27	21	24	15.89
DN 40	29	21	25	22.49
DN 50	29	21	25	25.12
DN 65	31	21	25	57.80
DN 80	32	21	26	64.83
DN 100	33	21	27	91.60

## HEAD LOSS GRAPH (MEDIA: WATER 20°)



## PRESSURE / TEMPERATURE

