

3-PCS CHECK VALVE WITH WELD/THREAD ENDS

TYPE 6016

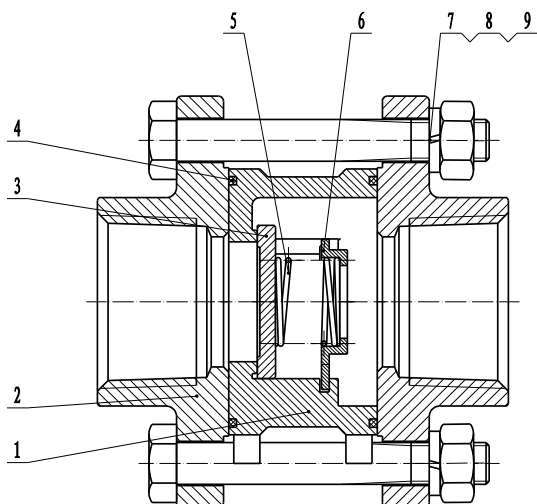


GENERAL

DIMENSION:	1/4" TO 2" DN8 TO DN50
PRESSURE:	PN63
TEMPERATURE:	-29°C TO 150°C (PRESSURE AND TEMPERATURE ARE INTERDEPENDENT)
MATERIAL:	ACID-PROOF STAINLESS STEEL
CONNECTION:	THREADED ENDS - BSPP BUTT WELD ENDS - ISO 1127

OPTION

SIZE:	2½" TIL 4" DN65 TO DN100
-------	-----------------------------

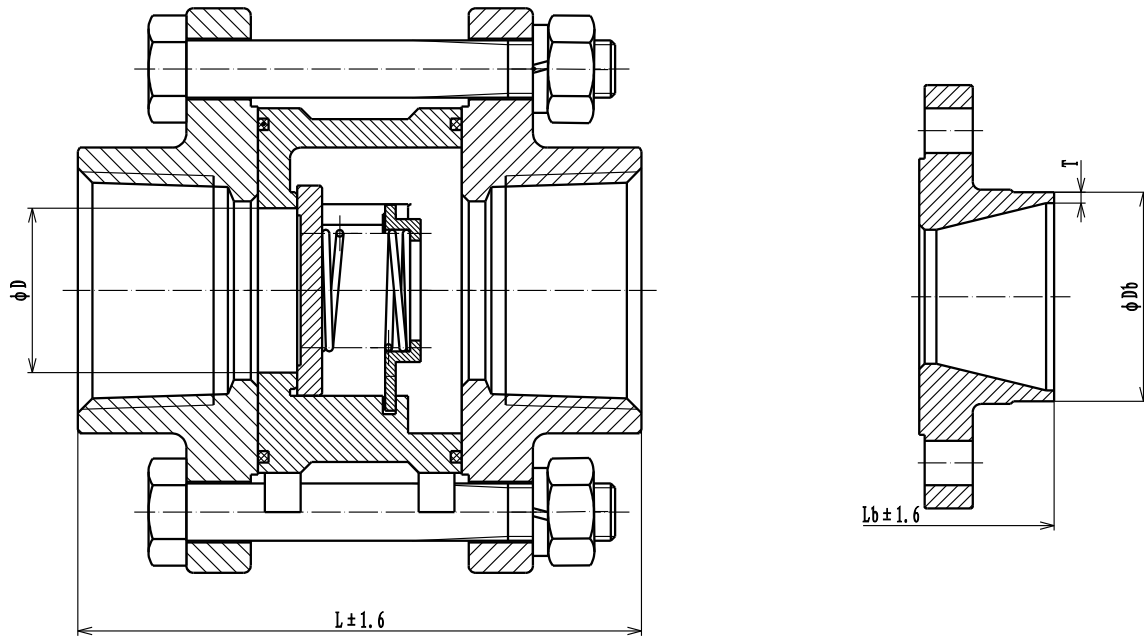


POS	DESCRIPTION	MATERIAL
1	BODY	STAINLESS STEEL CF8M
2	END CAP	STAINLESS STEEL CF8M
3	DISC	STAINLESS STEEL CF8M
4	GASKET	PTFE
5	SPRING	STAINLESS STEEL AISI 316
6	GLAND	STAINLESS STEEL AISI 316
7	NUT	STAINLESS STEEL A2-70
8	SPRING WASHER	STAINLESS STEEL AISI 304
9	BOLT	STAINLESS STEEL A2-70

DESCRIPTION

- **3-piece design** allows for easy inspection and replacement of middle part.
- **The check valve** in acid-proof stainless steel has a very cleaning-friendly surface.
- **The check valve offer a good economical solution**, as they include washers, gaskets and end caps. You save on counter flanges, washers, gaskets, bolts and nuts.
- **The spring activated disc** enables installation in all directions.
- **Material certificate EN10204/3.1** is available because of the traceability on all check valves.

DIMENSIONS



DIMENSION		THREAD		BUTT WELD			WEIGHT [KG]
[MM]	[INCH]	D [MM]	L [MM]	T [MM]	Db [MM]	Lb [MM]	
DN 8	1/4"	12.0	61.0	1.6	13.5	58.0	0.275
DN 10	3/8"	12.0	61.0	1.6	17.2	58.0	0.255
DN 15	1/2"	13.5	68.5	1.6	21.3	60.0	0.410
DN 20	3/4"	17.0	74.0	1.6	26.9	69.0	0.546
DN 25	1"	23.0	79.0	2.0	33.7	76.5	0.900
DN 32	1 1/4"	29.0	96.0	2.0	42.4	84.0	1.429
DN 40	1 1/2"	36.0	99.5	2.0	48.3	96.5	1.625
DN 50	2"	48.0	114.0	2.6	60.3	114.0	2.500
DN 65	2 1/2"	63.0	135.5	2.6	76.1	132.5	-
DN 80	3"	72.0	146.0	2.6	88.9	148.0	-
DN 100	4"	94.0	174.0	2.6	114.3	185.0	-

VALVE DATA

	Opening pressure [mbar]			Kv [m ³ /h]
	▲	▼	►	
DN 8	25	21	23	1.5
DN 10	25	21	23	2.4
DN 15	25	21	23	3.0
DN 20	25	21	23	5.6
DN 25	25	21	23	9.4
DN 32	27	21	24	14.6
DN 40	29	21	25	20.9
DN 50	29	21	25	37.4
DN 65	25	21	23	66.2
DN 80	32	21	26	94.6
DN 100	33	21	27	159.9

PRESSURE / TEMPERATURE

