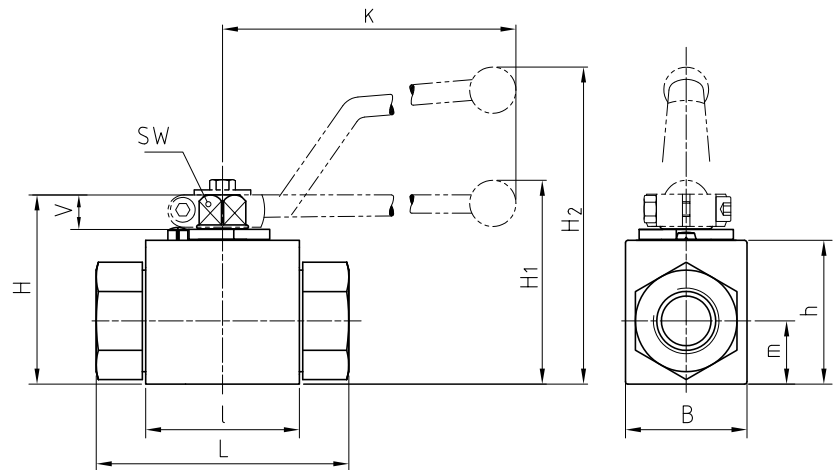
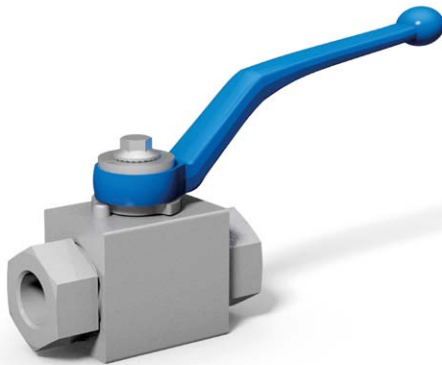


2-way ball valve Stainless Steel

TYPE 1170



AVAILABLE SIZES

DN4 - DN25 (1/8" to 1")

CONNECTIONS

DIN ISO 228 Female thread, ANSI B1.20.1 NPT Female thread, DIN 2353/ISO 8434-1 Light / Heavy series, SAE J 514/ISO/DIS11926-1 Female thread, ISO 7/1 Rc Female thread, ISO 8434-3 ORFS Male thread, others on request

ACCESSORIES ON REQUEST

- Locking devices page 222 - 225
- Actuators 220 - 221
- Mounting holes 21
- Position switches 228 - 229
- Combinations 184 - 186
- Detent on request

MATERIAL CODE DESCRIPTION

Materials	442A	4428
Body	Stainless Steel	Stainless Steel
Ball	Stainless Steel	Stainless Steel
Stem	Stainless Steel	Stainless Steel
Ball seats	POM	POM
O-rings	NBR	FPM
Tmin / Tmax	-30°C / 100°C	-20°C / 100°C

GENERAL DIMENSIONS

Type	L	B	H	h	m	V	SW	K	H ₁	H ₂	Lever
BKH-DN4	40	26	47	33	13,5	11	9	115	-	82	Zn
BKH-DN6	40	26	47	33	13,5	11	9	115	-	82	Zn
BKH-DN8	40	26	47	33	13,5	11	9	115	-	82	Zn
BKH-DN10	43	32	52	38	17,5	11	9	115	-	86	Zn
BKH-DN13	48	35	54	40	19	11	9	115	-	89	Zn
BKH-DN16	48	38	63	46	19	13	12	160	-	106	Al
BKH-DN20	62	49	75	57	24,5	14	14	200	79	-	Zn
BKHP500-DN20	82	58	83	65	32,5	14	14	200	87	-	Zn
BKH-DN25	66	58	83	65	29,5	14	14	200	87	-	Zn
BKHP500-DN25	84	70	88	70	34,5	14	14	200	92	-	Zn
BKH-DN25/32	66	58	83	65	29,5	14	14	200	87	-	Zn
BKH-DN25/40	66	58	83	65	29,5	14	14	200	87	-	Zn
BKHR-DN25	71	75	91	75	38	14	14	190	-	128	VA

2-way ball valve Stainless Steel

TYPE 1170



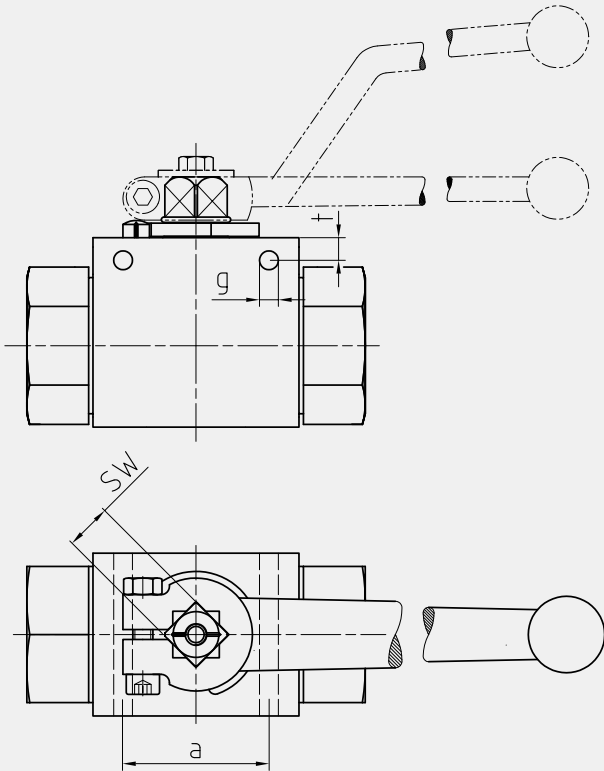
CONNECTION TYPE	DIMENSIONS						ORDER CODE PER MATERIAL COMBINATION		
DIN ISO 228 FEMALE THREAD	Type	LW	L	i	d	Weight [Kg]	PN [bar]	442A	4428
	BKH-DN4-G1/8	5	69	10	G1/8	0,41	500	29754*	30422*
	BKH-DN6-G1/4	6	69	14	G1/4	0,40	500	27183*	26726*
	BKH-DN10-G3/8	10	72	14	G3/8	0,54	500	27261*	27180*
	BKH-DN13-G1/2	13	83	16,3	G1/2	0,65	500	27260*	27182*
	BKH-DN16-G5/8	15	83	16	G5/8	0,70	400	32270*	31558*
	BKH-DN20-G3/4	20	95	18	G3/4	1,50	350	27657*	27817*
	BKHP500-DN20-G3/4	20	107	18	G3/4	2,57	500	50143	53461
	BKH-DN25-G1	25	113	20	G1	2,20	350	27026*	27673*
	BKHR-DN25-G1	24	122	20	G1	3,62	400	68604	on request
	BKHP500-DN25-G1	25	131	20	G1	3,94	500	50144	53462
	BKH-DN25/32-G1 1/4	25	120	22	G1 1/4	2,30	350	27438*	34869*
	BKH-DN25/40-G1 1/2	25	130	24	G1 1/2	2,60	250	33223*	35476*

ANSI B1.20.1 NPT FEMALE THREAD	Type	LW	L	i	d	Weight [Kg]	PN [bar]	442A	4428
	BKH-DN4-1/8"NPT	5	69	10,5	1/8"NPT	0,30	500	37169*	37170*
	BKH-DN6-1/4"NPT	6	69	13,7	1/4"NPT	0,40	500	28387*	27369*
	BKH-DN10-3/8"NPT	10	72	13,5	3/8"NPT	0,55	500	28388*	28750*
	BKH-DN13-1/2"NPT	13	83	17	1/2"NPT	0,75	500	41318*	27803*
	BKH-DN20-3/4"NPT	20	95	18,3	3/4"NPT	1,63	350	29237*	27429*
	BKHP500-DN20-3/4"NPT	20	107	18,3	3/4"NPT	2,60	500	53463	53464
	BKH-DN25-1"NPT	25	113	21,6	1"NPT	2,30	350	26996*	28451*
	BKHR-DN25-1"NPT	24	122	19	1"NPT	3,36	400	on request	on request
	BKHP500-DN25-1"NPT	25	131	21,6	1"NPT	4,00	500	53465	53466
	BKH-DN25/32-1 1/4"NPT	25	120	22,1	1 1/4"NPT	2,51	350	37168*	37171*
	BKH-DN25/40-1 1/2"NPT	25	130	22,1	1 1/2"NPT	2,70	250	37767*	37768*

DIN 2353 / ISO 8434-1 LIGHT SERIES	Type	LW	RA	L	i	d	Weight [Kg]	PN [bar]	442A	4428
	BKH-DN4-6L	5	6	67	7	M 12x1,5	0,36	500	26268*	28589*
	BKH-DN6-8L	6	8	67	7	M 14x1,5	0,37	500	27342*	27381*
	BKH-DN8-10L	8	10	74	7	M 16x1,5	0,38	500	34754*	27380*
	BKH-DN10-12L	10	12	74	7	M 18x1,5	0,50	500	26263*	27388*
	BKH-DN13-15L	13	15	82	7	M 22x1,5	0,61	500	34673*	27658*
	BKH-DN13-18L	13	18	82	7,5	M 26x1,5	0,60	500	33220*	28732*
	BKH-DN16-18L	15	18	82	7,5	M 26x1,5	0,75	400	31293*	29097*
	BKH-DN20-22L	20	22	101	7,5	M 30x2	1,49	350	32346*	27965*
	BKH-DN25-28L	25	28	108	7,5	M 36x2	2,00	350	28322*	37164*
	BKH-DN25/32-35L	25	35	112	10,5	M 45x2	2,12	350	33221*	32289*
	BKH-DN25/40-42L	25	42	112	11	M 52x2	2,27	350	37765*	37766*
	BKHR-DN25/40-42L	24	28	112	7,65	M 36x2	3,31	400	on request	on request

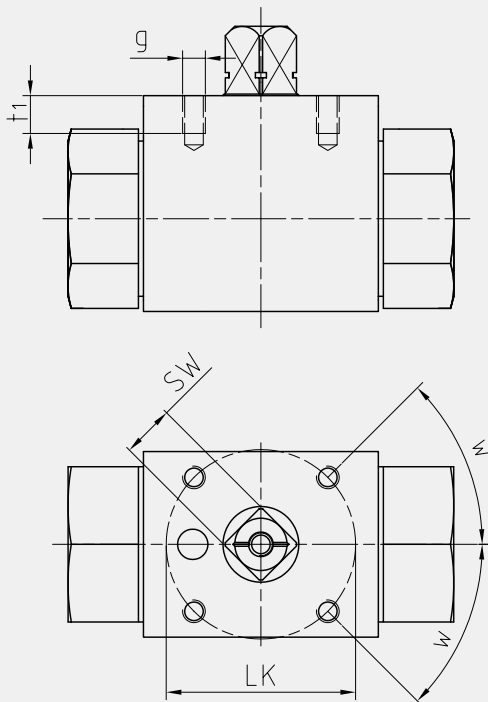
Please note the pressure ratings of the tube connections!

*Article usually in stock.



ASSEMBLING HOLES

DN	SW	a	g	t
4	9	31	4,3	4,5
6	9	31	4,3	4,5
10	9	32	4,3	4
13	9	32	4,3	4
16	12	32	5,2	6
20	14	44	6,2	6
25	14	44	6,3	6
25	14	44	6,3	6
25/32	14	44	6,3	6
25/40	14	44	6,3	6



ASSEMBLING THREADS AS PER ISO 5211

DN	SW	LK	g	t ₁	w	ISO 5211
4	9	36	M5	6	30°*	(F03)*
6	9	36	M5	6	30°*	(F03)*
10	9	36	M5	7	45°	F03
13	9	36	M5	6	45°	F03
16	12	42	M5	8	45°	F04
20	14	50	M6	10	45°	F05
25	14	50	M6	10	45°	F05
25	14	50	M6	10	45°	F05
25/32	14	50	M6	10	45°	F05
25/40	14	50	M6	10	45°	F05

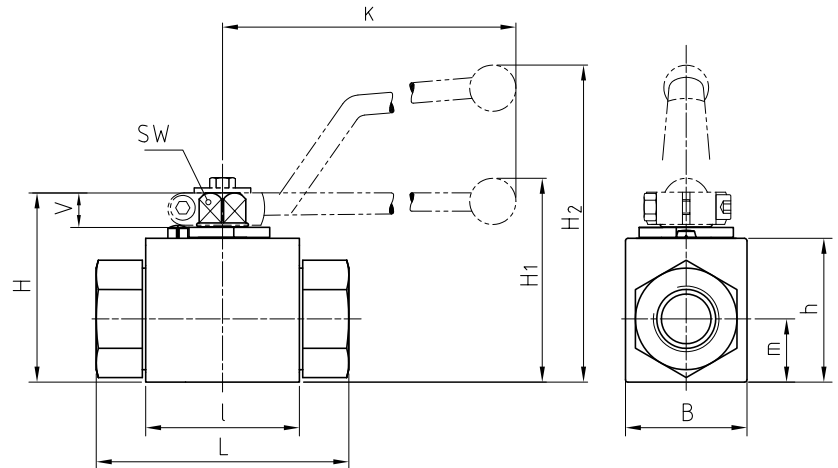
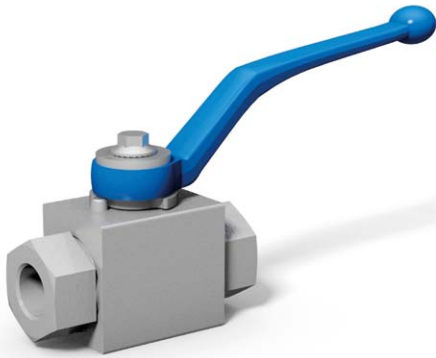
*30° does not correspond to ISO 5211

2-way ball valve Steel

TYPE 1170



Two-way



AVAILABLE SIZES

DN4 - DN25 (1/8" to 1")

CONNECTIONS

DIN ISO 228 Female thread, ANSI B1.20.1 NPT Female thread, DIN 2353/ISO 8434-1 Light / Heavy series, SAE J 514/ISO/DIS11926-1 Female thread, ISO 7/1 Rc Female thread, ISO 8434-3 ORFS Male thread, others on request

ACCESSORIES ON REQUEST

- Locking devices page 222 - 225
- Actuators 220 - 221
- Mounting holes 17
- Position switches 228 - 229
- Combinations 184 - 186
- Detent on request

MATERIAL CODE DESCRIPTION

Materials	112A	1128
Body	Steel	Steel
Ball	Steel	Steel
Stem	Steel	Steel
Ball seats	POM	POM
O-rings	NBR	FPM
Tmin / Tmax	-20°C / 100°C	-20°C / 100°C

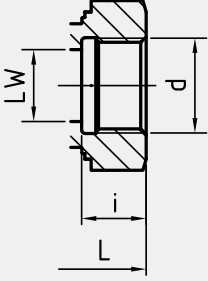
GENERAL DIMENSIONS

Type	L	B	H	h	m	V	SW	K	H ₁	H ₂	Lever
BKH-DN4	40	26	47	33	13,5	11	9	115	-	82	Zn
BKH-DN6	40	26	47	33	13,5	11	9	115	-	82	Zn
BKH-DN8	40	26	47	33	13,5	11	9	115	-	82	Zn
BKH-DN10	43	32	52	38	17,5	11	9	115	-	86	Zn
BKH-DN13	48	35	54	40	19	11	9	115	-	89	Zn
BKH-DN16	48	38	63	46	19	13	12	160	-	106	Al
BKH-DN20	62	49	75	57	24,5	14	14	200	79	-	Zn
BKH-DN25	66	58	83	65	29,5	14	14	200	87	-	Zn
BKHP500-DN25	74	70	88	70	34,5	14	14	200	92	-	Zn
BKH-DN25/32	66	58	83	65	29,5	14	14	200	87	-	Zn
BKH-DN25/40	66	58	83	65	29,5	14	14	200	87	-	Zn
BKHR-DN25	70	55	78	60	26	14	14	171	-	129	Zn

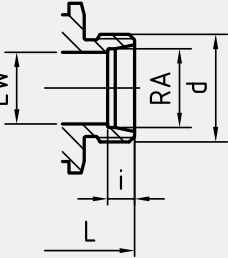
2-way ball valve Steel

TYPE 1170



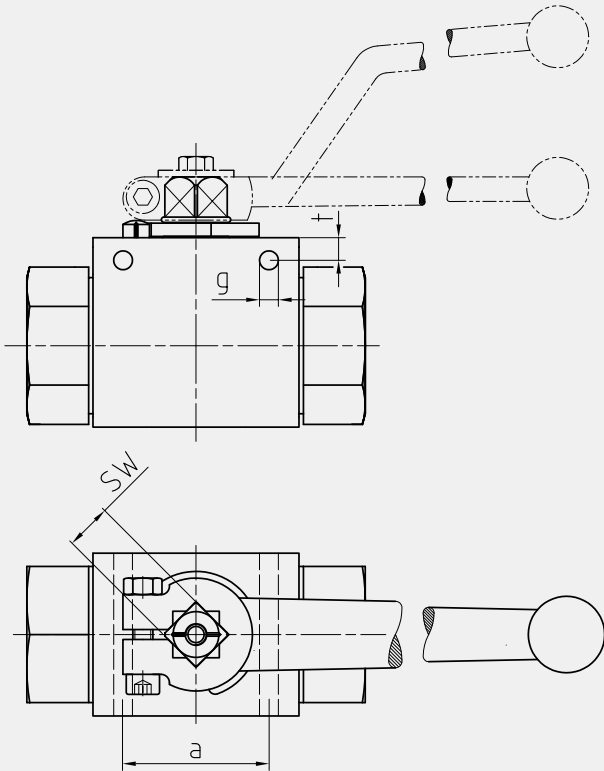
CONNECTION TYPE	DIMENSIONS						ORDER CODE PER MATERIAL COMBINATION		
	Type	LW	L	i	d	Weight [Kg]	PN [bar]	112A	1128
DIN ISO 228 FEMALE THREAD 	BKH-DN4-G1/8	5	69	10	G1/8	0,41	500	20639*	34799*
	BKH-DN6-G1/4	6	69	14	G1/4	0,40	500	17401*	17679*
	BKH-DN10-G3/8	10	72	14	G3/8	0,54	500	17185*	19901*
	BKH-DN13-G1/2	13	83	16,3	G1/2	0,65	500	17253*	17165*
	BKH-DN16-G5/8	15	83	16	G5/8	0,70	420	21519*	25726*
	BKH-DN20-G3/4	20	95	18	G3/4	1,50	420	17254*	17183*
	BKH-DN25-G1	25	113	20	G1	2,20	350	17751*	30379*
	BKHR-DN25-G1	24	115	20	G1	2,16	420	64417*	on request
	BKHP500-DN25-G1	25	113	20	G1	3,10	500	43622	43835
	BKH-DN25/32-G1 1/4	25	120	22	G1 1/4	2,30	350	17630*	19765*
	BKH-DN25/40-G1 1/2	25	130	24	G1 1/2	2,60	350	25357*	29191*

CONNECTION TYPE	DIMENSIONS						ORDER CODE PER MATERIAL COMBINATION		
	Type	LW	L	i	d	Weight [Kg]	PN [bar]	112A	1128
ANSI B1.20.1 NPT FEMALE THREAD 	BKH-DN4-1/8"NPT	5	69	10,5	1/8"NPT	0,30	500	02832*	25698*
	BKH-DN6-1/4"NPT	6	69	13,7	1/4"NPT	0,40	500	17174*	24525*
	BKH-DN10-3/8"NPT	10	72	13,5	3/8"NPT	0,55	500	17175*	25700*
	BKH-DN13-1/2"NPT	13	83	17	1/2"NPT	0,75	500	17176*	24526*
	BKH-DN20-3/4"NPT	20	95	18,3	3/4"NPT	1,63	420	17177*	25721*
	BKH-DN25-1"NPT	25	113	21,6	1"NPT	2,30	350	17178*	25722*
	BKHR-DN25-1"NPT	24	115	19	1"NPT	2,3	420	64419*	on request
	BKHP500-DN25-1"NPT	25	113	21,6	1"NPT	3,16	500	43836	43837
	BKH-DN25/32-1 1/4"NPT	25	120	22,1	1 1/4"NPT	2,51	350	17179*	25723*
	BKH-DN25/40-1 1/2"NPT	25	130	22,1	1 1/2"NPT	2,70	250	32506*	32165*

CONNECTION TYPE	DIMENSIONS						ORDER CODE PER MATERIAL COMBINATION			
	Type	LW	RA	L	i	d	Weight [Kg]	PN [bar]	112A	1128
DIN 2353 / ISO 8434-1 LIGHT SERIES 	BKH-DN4-6L	5	6	67	7	M 12x1,5	0,36	500	17485*	25703*
	BKH-DN6-8L	6	8	67	7	M 14x1,5	0,37	500	17380*	25704*
	BKH-DN8-10L	8	10	74	7	M 16x1,5	0,38	500	17260*	17600*
	BKH-DN10-12L	10	12	74	7	M 18x1,5	0,50	500	17381*	25705*
	BKH-DN13-15L	13	15	82	7	M 22x1,5	0,61	500	17382*	25706*
	BKH-DN13-18L	13	18	82	7,5	M 26x1,5	0,60	500	18385*	25708*
	BKH-DN16-18L	15	18	82	7,5	M 26x1,5	0,75	420	17486*	25709*
	BKH-DN20-22L	20	22	101	7,5	M 30x2	1,49	420	18567*	25710*
	BKH-DN25-28L	25	28	108	7,5	M 36x2	2,00	350	17427*	25711*
	BKH-DN25/32-35L	25	35	112	10,5	M 45x2	2,12	350	18672*	02868*
	BKH-DN25/40-42L	25	42	112	11	M 52x2	2,27	350	20190*	33207*
	BKHR-DN25-28L	24	28	108	7,5	M 36x2	1,90	420	67851*	on request
	BKHR-DN25/32-35L	24	35,3	116	10,5	M 45x2	2,02	420	67169*	on request
	BKHR-DN25/40-42L	24	42,3	121	11	M 52x2	2,20	420	on request	on request

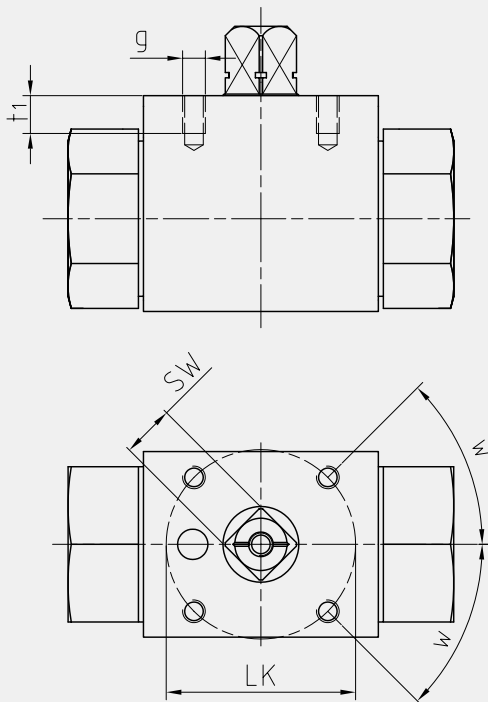
Please note the pressure ratings of the tube connections!

*Article usually in stock.



ASSEMBLING HOLES

DN	SW	a	g	t
4	9	31	4,3	4,5
6	9	31	4,3	4,5
10	9	32	4,3	4
13	9	32	4,3	4
16	12	32	5,2	6
20	14	44	6,2	6
25	14	44	6,3	6
25/32	14	44	6,3	6
25/40	14	44	6,3	6



ASSEMBLING THREADS AS PER ISO 5211

DN	SW	LK	g	t ₁	w	ISO 5211
4	9	36	M5	6	30°*	(F03)*
6	9	36	M5	6	30°*	(F03)*
10	9	36	M5	7	45°	F03
13	9	36	M5	6	45°	F03
16	12	42	M5	8	45°	F04
20	14	50	M6	10	45°	F05
25	14	50	M6	10	45°	F05
25/32	14	50	M6	10	45°	F05
25/40	14	50	M6	10	45°	F05

*30° does not correspond to ISO 5211