

# FLOAT AND THERMOSTATIC STEAM TRAP

## TYPE 8017

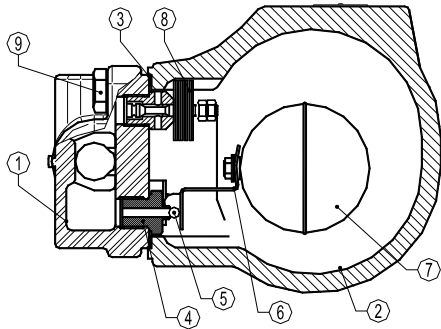


### GENERAL

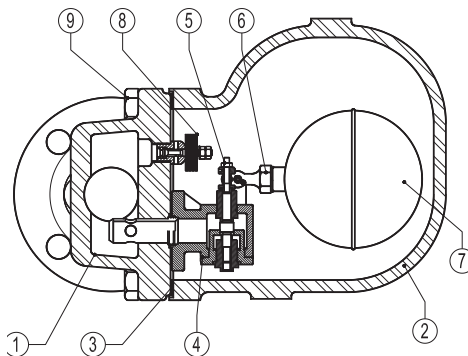
SIZE:	DN15 - DN50
PRESSURE:	4,5 BAR AND 10 BAR
MATERIAL:	DUCTILE IRON GJS-400
FLANGES:	PN16

### OPTIONS

THREADS:	BSPP
----------	------



DN15-25



DN40-50

POS	DESCRIPTION	MATERIALS
1	BODY	DUCTILE IRON GJS-400
2	COVER	DUCTILE IRON GJS-400
3	GASKET	GRAPHITE
4	SEAT	STAINLESS STEEL AISI 410
5	VALVE	STAINLESS STEEL AISI 440C
6	LEVER	STAINLESS STEEL AISI 304
7	FLOAT	STAINLESS STEEL AISI 304
8	AIR VENT	STAINLESS STEEL (BIMETALLIC)
9	BOLTS	STEEL 8.8

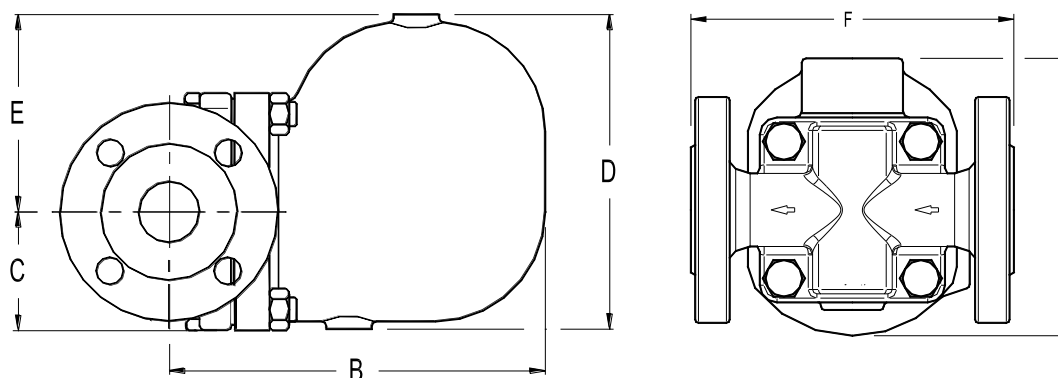
\* DN40-50: Stainless steel CF8

\*\* DN40-50: Stainless steel AISI 420

### DESCRIPTION

- **Float and thermostatic steam traps are designed** for all types of low and high pressure steam heating and process equipment.
- **Modulating discharge.**
- **Horizontal and vertical mounting.** Can be mounted in either direction by reversing the house.
- **Unaffected by sudden or wide load and pressure changes.**
- **Excellent thermostatic** bimetallic air vent in stainless steel.
- **Stocked** up to 4.5 and 10 bar differential pressure, as stated when ordering.

## DIMENSION



DIMENSIONS [MM]				
	B	D	F	WEIGHT [KG]
DN15	155	128	150	6.7
DN20	155	128	150	7.2
DN25	155	128	160	7.7
DN40	248	208	230	20.3
DN50	248	208	230	20.7

## FLOW RATE [KGS/H]

TYPE	$\Delta P$ [BAR]	0.1	0.3	0.5	0.7	1.0	1.5	2.0	4.5	7.0	10.0
DN 15-25	4.5	165	205	230	280	330	400	440	630	-	-
	10.0	110	130	150	170	200	250	280	400	495	595
DN 40-50	4.5	1050	1750	2400	2700	3400	3900	4500	7300	-	-
	10.0	650	1100	1500	1700	2000	2600	3000	4000	5400	6200