

BALL VALVE INCL. ELECTRIC ACTUATOR

TYPE 5660

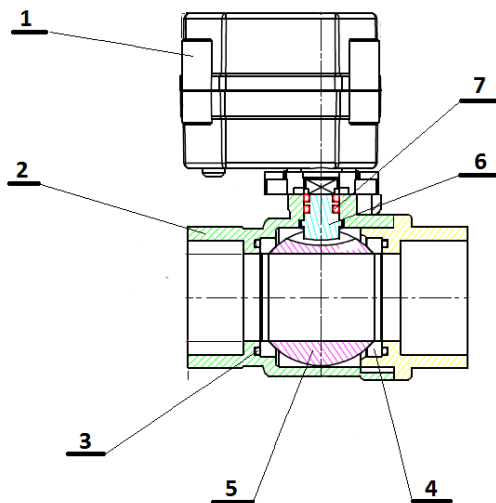


GENERAL

DIMENSION/PRESSURE:	1/2" TO 1"
PRESSURE:	10 BAR
THREAD:	BSPP
CONNECTION:	FEMALE/FEMALE
POWER SUPPLY:	24V AC/DC NO/NC, 230V AC NO/NC
POWER:	8 W
AMPERAGE:	<500 mA
TRAVEL ANGLE:	90°
ENCLOSURE:	IP67
TEMPERATURE:	0° C TO 90° C
OPERATION TIME:	6 SEC. (90°)

OPTION

MATERIAL VALVE BODY:	BRASS
SIGNALS:	ON/OFF FEED BACK

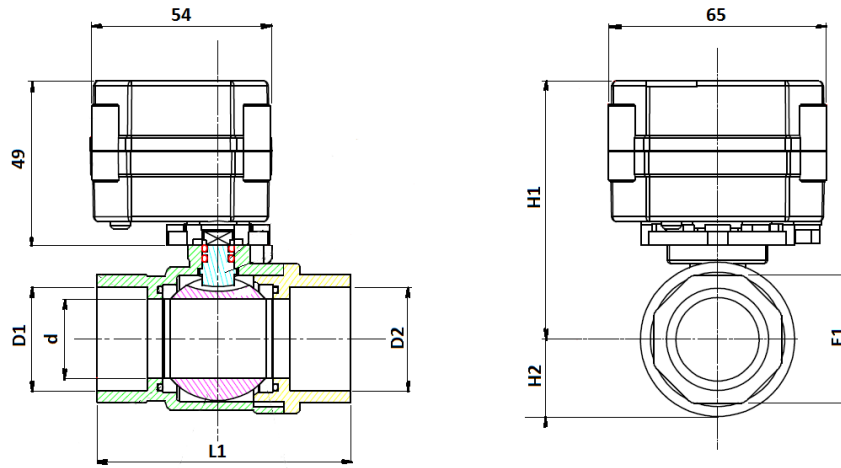


POS	DESCRIPTION	MATERIAL
1	ACTUATOR	PLACTIC PPO
2	BODY	STAINLESS STEEL CF8M
3	O-RING	EPDM
4	SEAT	PTFE
5	BALL	STAINLESS STEEL CF8M
6	STEM	STAINLESS STEEL CF8M
7	O-RING	EPDM

DESCRIPTION

- **Stainless steel ball valve with compact electric actuator.**
- **Electrical actuator with fail-safe function**, which closes or opens the valve at power failure. Available as NO or NC.
- **Perfect for applications** such as water treatment, HVAC, industry, OEM, etc.
- **Approvals:** NSF for food contact and ACS for drinking water.
- **Pressure PN10.**
- **Note:** The valve can not be mounted with the actuator at the bottom, otherwise all mounting positions are possible.
- **Full bore** provides a minimal pressure drop.

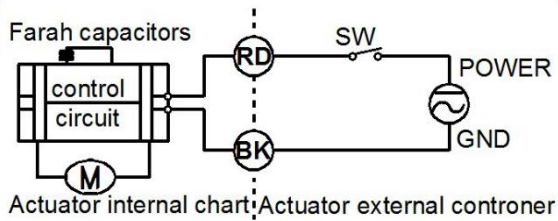
DIMENSIONS



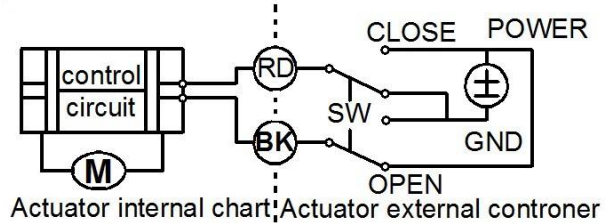
VALVE INCL. ACTUATOR

DIM [TOMMER]	d [MM]	L1 [MM]	L2 [MM]	E1 [MM]	H1 [MM]	H2 [MM]	Vægt [MM]
1/2"	15	56	13	25	84	16	0,37
3/4"	20	66	15	31	87	19	0,47
1"	25	71	15	38	89	22	0,62

WIRING DIAGRAM



230V



24V