

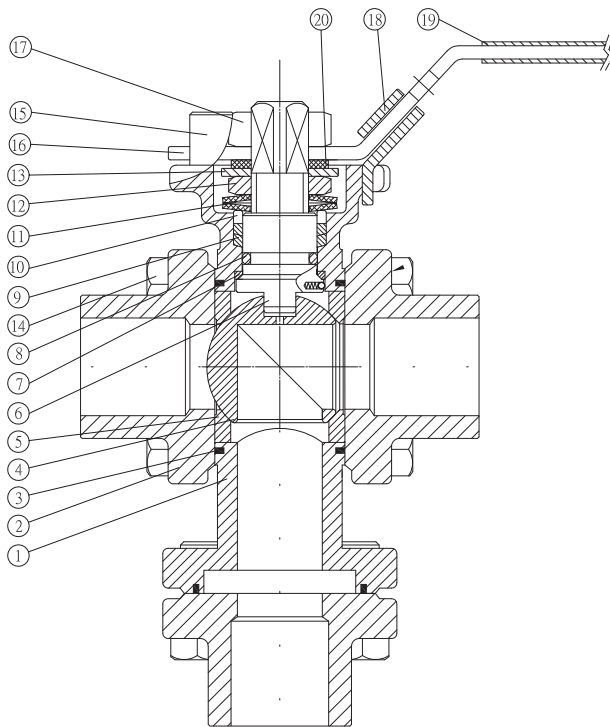
3-WAY DIVERTER BALL VALVE

TYPE 1792: 180° ROTATION WITH BOTTOM ENTRY



GENERAL

DIMENSION:	1/2" FULL BORE
PRESSURE:	2000 PSI (137 BAR)
TEMPERATURE:	-10°C TO +180°C
(PRESSURE AND TEMPERATURE ARE INTERDEPENDENT)	
CONNECTION:	BUTT WELD END ISO 1127-1
MATERIAL:	ACID-PROOF STAINLESS STEEL
ISO TOP FLANGE:	ISO 5211
FIRE-SAFE:	DESIGN



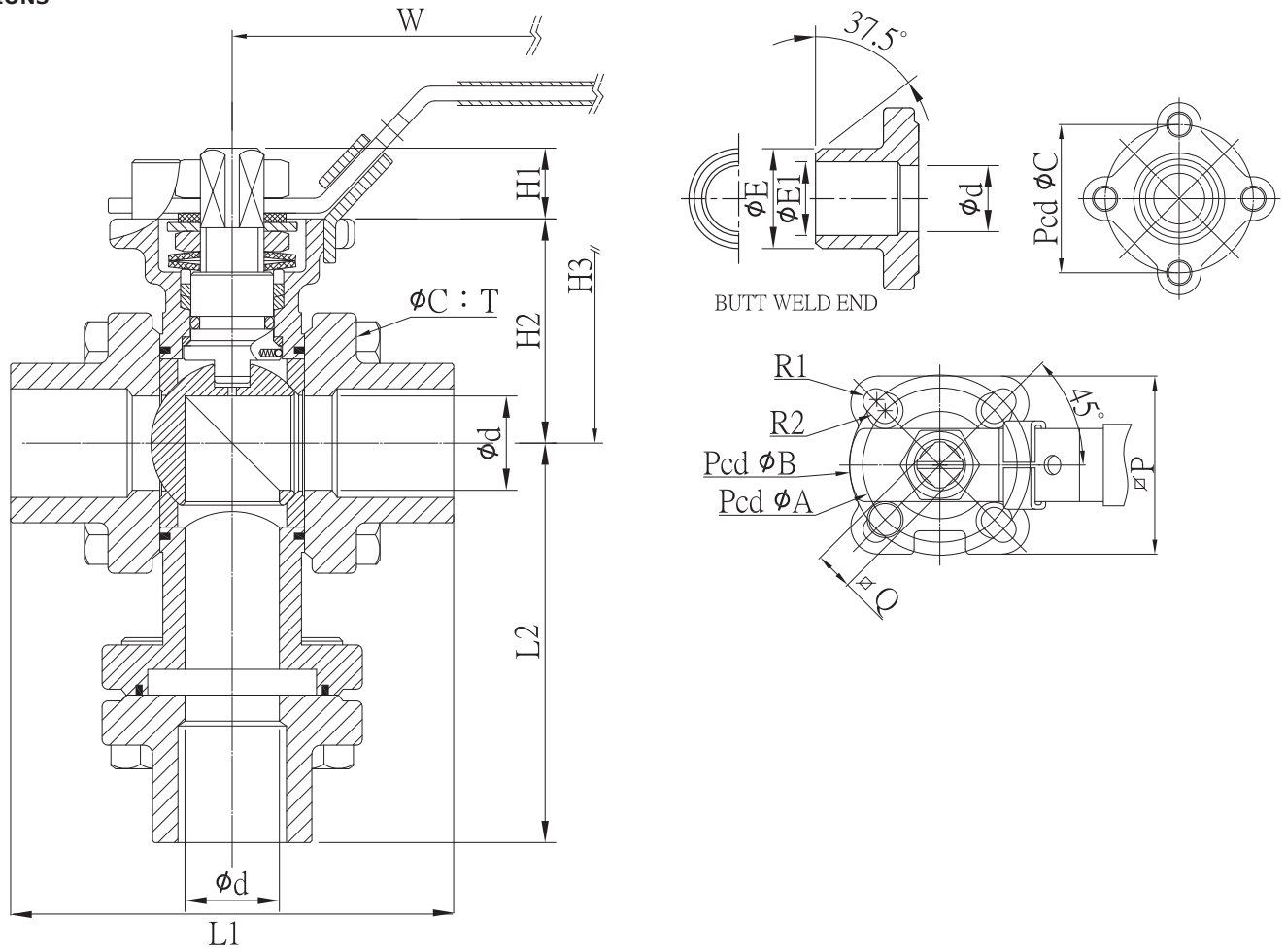
POS	DESCRIPTION	MATERIAL
1	BODY	STAINLESS STEEL CF8M
2	END CAP	STAINLESS STEEL CF3M
3	JOINT GASKET	GRAPHITE
4	BALL	STAINLESS STEEL CF8M
5	SEAT	PTFE - TFM1600
6	STEM	STAINLESS STEEL AISI 316
7	THRUST WASHER	PTFE - MG1431
8	O-RING	RUBBER - FPM
9	STEM PACKING	GRAPHITE
10	GLAND	STAINLESS STEEL AISI 304
11	BELLEVILLE WASHER	STAINLESS STEEL AISI 301
12	NUT	STAINLESS STEEL AISI 304
13	LOCK WASHER	STAINLESS STEEL AISI 304
14	HEX BOLT	STAINLESS STEEL AISI 304
15	STOP PIN	STAINLESS STEEL AISI 304
16	HANDLE	STAINLESS STEEL AISI 304
17	HANDLE NUT	STAINLESS STEEL AISI 304
18	LOCKING DEVICE	STAINLESS STEEL AISI 304
19	COVER	PVC
20	WASHER	STAINLESS STEEL AISI 304

DESCRIPTION

- 3-way diverter ball valve, with bottom entry and 180° rotation.** The valve has 3 butt weld ends and its design is similar to the 3-pcs ball valve, with the same benefit of easy dismantling from the pipeline.
- Fire-safe design** with joint gaskets and stem packing in graphite. These must be replaced when the valve is dismantled.
- Maintenance free stuffing box with belleville washers,** reinforced thrust washer and FPM O-ring will provide optimum packing and longer lifetime - also at various temperatures.
- ISO 5211 mounting flange** for direct mounting of actuator without the use of coupling and bracket. This compact unit gives fewer transitions = less "slack".
- Traceability on all valves.** On request material certificate EN10204/3.1 can be delivered with the valve.
- Valve seats in TFM1600** - a 2nd generation PTFE, with multiple improved properties compared to standard PTFE, among these are reduced cold flowing / deformation and a decrease in torque.

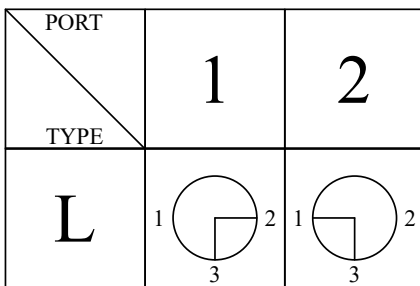
DS-1792-UK-03-2019-REV. A
We reserve the right for changes.

DIMENSIONS

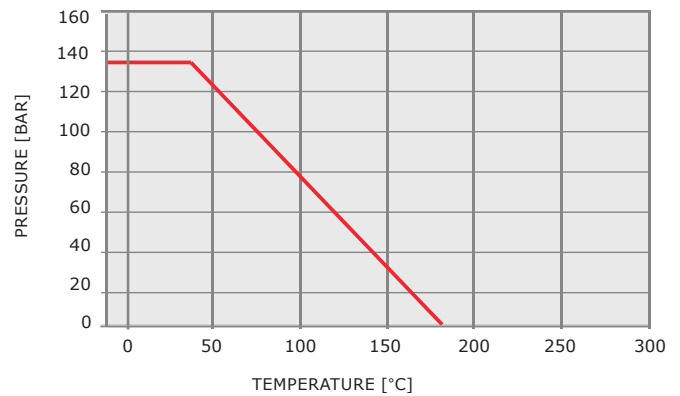


DIM	VALVE WITH HANDLE											ISO TOP FLANGE				
	[MM]															
[INCH]	ϕd	L	L2	H1	H2	H3	ϕE	$\phi E1$	ϕC	Pcd ϕC	T	W	ISO 5211	Q	R1	R2
1/2"	15,0	75,0	70,0	11,0	38,0	72,0	21,3	17,1	6,5	44	M6	117,0	F03/F04	9,0	6,0	6,0

FLOW PLANS



PRESSURE/TEMPERATURE GRAPH



VALVE DATA

DIM	KV-VALUE	WEIGHT
[INCH]	[M3/H]	[KG]
1/2"	9.6	1.13