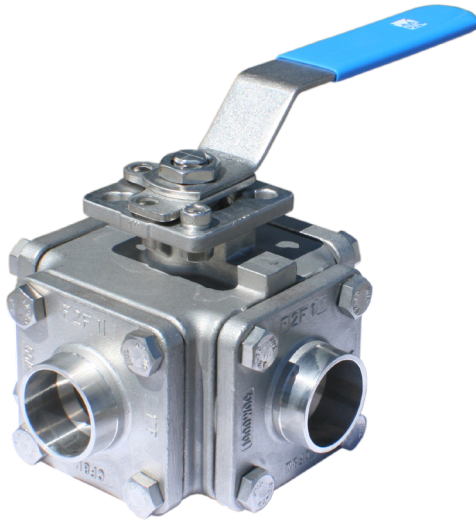


3-WAY BALL VALVE WITH BUTT WELD ENDS

TYPE 1616: T-PORT
TYPE 1716: L-PORT

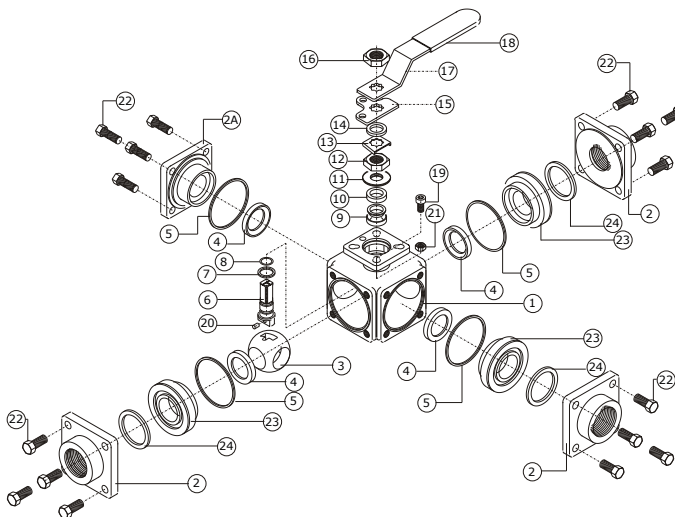


GENERAL

DIMENSION:	DN15 TO DN100
PRESSURE:	PN55 / 800 WOG
TEMPERATURE:	-29°C TO 210°C
(PRESSURE AND TEMPERATURE ARE INTERDEPENDENT)	
CONNECTION:	BUTT WELD ENDS ISO 1127
MATERIAL:	ACID-PROOF STAINLESS STEEL
ISO TOP FLANGE:	ISO 5211

OPTION

DIMENSION:	DN08, DN10
CONSTRUCTION:	4-WAY
CONNECTION:	THREAD, SOCKET WELD OR FLANGE
SEATRING/PACKING:	PTFE, PTFE + 25% CARBON, TFM1600, TFM4215, UPE (UHMWPE), PEEK

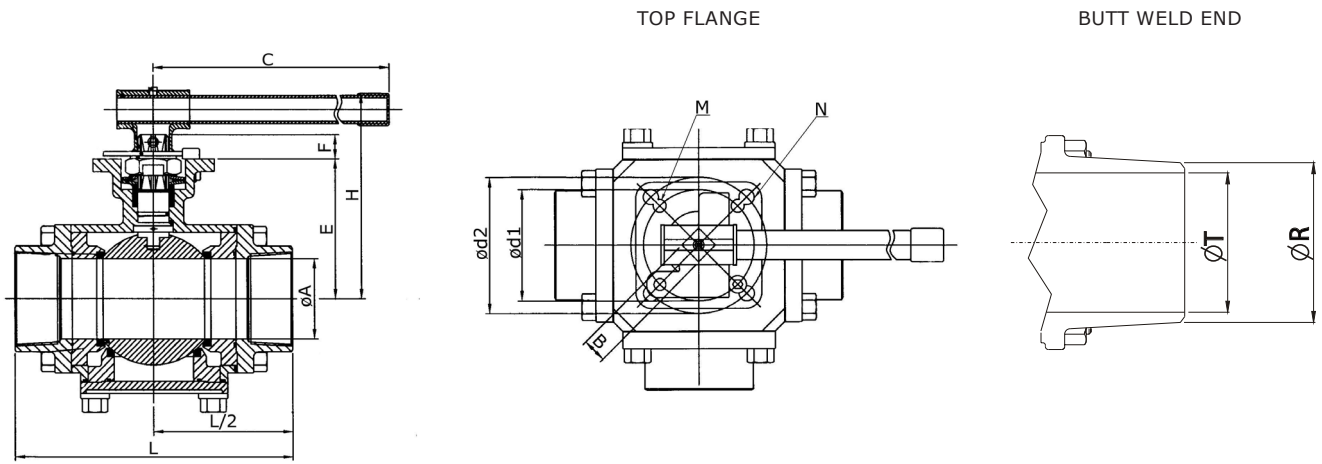


POS	DESCRIPTION	MATERIAL
1	BODY	STAINLESS STEEL CF8M
2	END CAP	STAINLESS STEEL CF8M
2A	BLANK END	STAINLESS STEEL CF8M
3	BALL	STAINLESS STEEL AISI 316
4	SEAT	PTFE + 15% GLASS FIBER
5	JOINT GASKET	PTFE
6	STEM	STAINLESS STEEL AISI 316
7	THRUST WASHER	PTFE + 15% GLASS FIBER
8	O-RING	FPM
9	STEM PACKING	PTFE
10	GLAND	STAINLESS STEEL AISI 304
11	BELLEVILLE WASHER	STAINLESS STEEL AISI 301
12	STEM NUT	STAINLESS STEEL AISI 304
13	NUT STOP	STAINLESS STEEL AISI 304
14	SPACE WASHER	STAINLESS STEEL AISI 304
15	STOPPER PLATE	STAINLESS STEEL AISI 304
16	HANDLE NUT	STAINLESS STEEL AISI 304
17	HANDLE	STAINLESS STEEL AISI 304
18	SLEEVE	PLASTIC
19	STOP PIN	STAINLESS STEEL AISI 304
20	INSERT PIN	STAINLESS STEEL AISI 316
21	STOP PIN NUT	STAINLESS STEEL AISI 304
22	BOLTS	STAINLESS STEEL AISI 304
23	BAK-UP RING	STAINLESS STEEL CF8M
24	PACKING	PTFE

DESCRIPTION

- **Multifunction.** With 4 possible connection ends, virtually any desired flow direction is achievable. The standard version comes with 3 connection ends - see flow plans on page 2.
- **4 seat rings** settle the ball on all sides, which allows input flow in all connection ends without the occurrence of bypass (leak) behind the ball.
- **Service-proven.** The four connection ends are easily removed for replacement of the valve seats during maintenance.
- **Traceability on all valves.** On request material certificate EN10204/3.1 can be delivered with the valve.
- **ISO 5211 mounting flange** for direct mounting of actuator without the use of coupling and bracket. This compact unit gives fewer transitions = less "slack".
- **'Fugitive emissions' packing system** according to ISO EN 15484-1, with spring washers, V-rings and O-ring allows for optimal tightness - both at varying temperature and over time when the packing wears out.
- **Stainless steel weld ends - ISO 1127** is standard.

DIMENSION

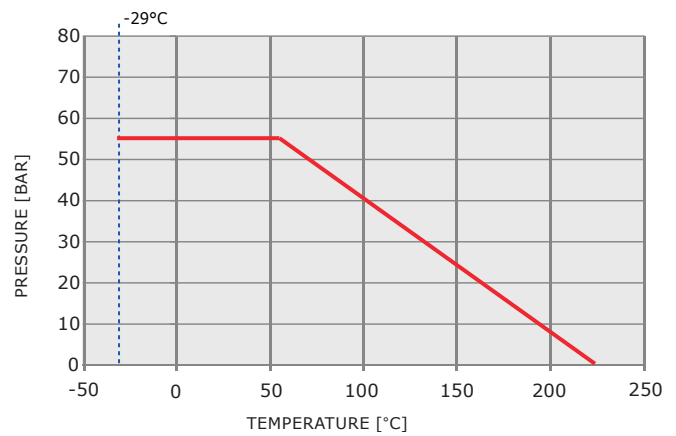


DIM [MM]	VALVE WITH HANDLE					ISO TOP FLANGE					STEM		BUTT WELD	
	ØA [MM]	C [MM]	E [MM]	H [MM]	L [MM]	ISO 5211	Ød1 [MM]	MX4 [MM]	ISO 5211	Ød2 [MM]	NX4 [MM]	B [MM]	F [MM]	ISO 1127 ØR/ØT [MM]
8	11.0	130	37.5	62	85.0	F03	36	6.0	F04	42	6.0	9	9.5	13.5/10.3 (1.6)
10	11.0	130	37.5	62	85.0	F03	36	6.0	F04	42	6.0	9	9.5	17.2/14.0 (1.6)
15	15.0	130	42.0	64	102.0	F03	36	6.0	F04	42	6.0	9	11.0	21.3/18.1 (1.6)
20	20.0	165	48.5	82	108.0	F04	42	6.0	F05	50	7.1	11	14.0	26.9/23.7 (1.6)
25	25.0	165	55.5	89	123.0	F04	42	6.0	F05	50	7.1	11	14.0	33.7/29.7 (2.0)
32	32.0	205	63.0	98	133.0	F05	50	7.1	F07	70	9.2	14	17.0	42.4/38.4 (2.0)
40	38.0	205	73.5	108	153.0	F05	50	7.1	F07	70	9.2	14	16.0	48.3/44.3 (2.0)
50	50.0	325	92.5	140	184.0	F07	70	9.2	F10	102	11.4	17	21.0	60.3/55.1 (2.6)
65	62.0	500	119.0	200	259.0	F10	102	11.4	-	-	-	22	25.0	76.1/70.9 (2.6)
80	76.0	600	137.0	218	284.0	F10	102	11.4	-	-	-	22	25.0	88.9/83.7 (2.6)
100	96.0	750	157.0	238	337.0	F10	102	11.4	-	-	-	22	25.0	114.3/109.1 (2.6)

FLOW PLANS

PORT TYPE	1	2	3	4
L				
T				

PRESSURE/TEMPERATURE GRAPH



VALVE DATA

DIM [MM]	*TORQUE [NM]	WEIGHT [KG]	Kv-VALUES [m³/h]		
			L-PORT	T-PORT STRAIGHT	T-PORT ANGLE
8	13.4	1.40	3.4	6.0	3.4
10	13.4	1.40	4.3	7.7	3.4
15	16.6	2.12	5.1	8.5	4.3
20	20.0	2.82	13.6	17.9	11.1
25	41.7	4.01	26.4	30.6	18.7
32	45.0	5.87	27.2	49.3	21.3
40	71.9	9.24	63.8	76.5	46.8
50	93.3	16.56	119.0	148.8	85.0
65	175.1	22.90	178.5	199.8	126.7
80	191.8	31.60	318.8	382.5	229.5
100	308.5	54.00	569.5	680.0	403.8

*) Torque figure included 30% safety factor.