

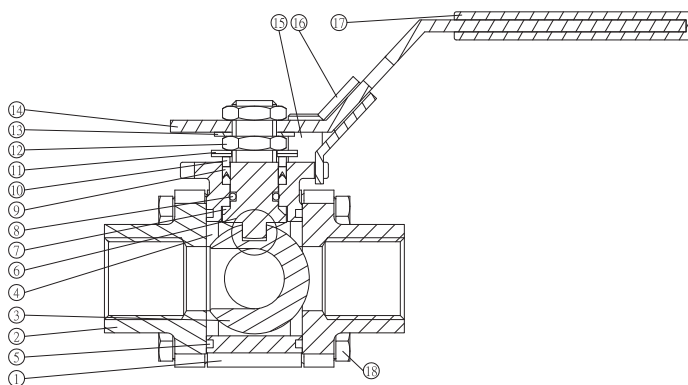
3-WAY BALL VALVE

TYPE 1746: CHANGE-OVER VALVE

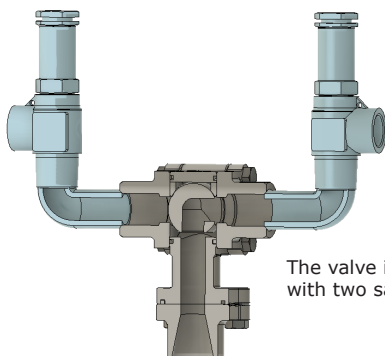


GENEREL

| | |
|---|------------------------------|
| DIMENSION: | 1/2" FULL BORE |
| PRESSURE: | 2000 PSI (137 BAR) |
| TEMPERATURE: | -10°C TO +180°C |
| (PRESSURE AND TEMPERATURE ARE INTERDEPENDENT) | |
| CONNECTION: | 2 X THREAD (BSPP) |
| | 1 X BUTT WELD END (ISO 1127) |
| MATERIAL: | ACID-PROOF STAINLESS STEEL |
| ISO TOP FLANGE: | ISO 5211 |



| POS | DESCRIPTION | MATERIAL |
|-----|-------------------|--------------------------|
| 1 | BODY | STAINLESS STEEL CF8M |
| 2 | END CAP | STAINLESS STEEL CF8M |
| 3 | BALL | STAINLESS STEEL CF8M |
| 4 | SEAT | PTFE - TFM1600 |
| 5 | JOINT GASKET | PTFE |
| 6 | STEM | STAINLESS STEEL AISI 316 |
| 7 | THRUST WASHER | PTFE - TF4215 |
| 8 | O-RING | FPM |
| 9 | PACKING | PTFE + 15% GRAPHITE |
| 10 | GLAND | STAINLESS STEEL AISI 304 |
| 11 | BELLEVILLE WASHER | STAINLESS STEEL AISI 301 |
| 12 | NUT | STAINLESS STEEL AISI 304 |
| 13 | LOCK WASHER | STAINLESS STEEL AISI 304 |
| 14 | HANDLE | STAINLESS STEEL AISI 304 |
| 15 | STOP PIN | STAINLESS STEEL AISI 304 |
| 16 | LOCKING DEVICE | STAINLESS STEEL AISI 304 |
| 17 | HANDLE COVER | PLASTIC |
| 18 | BOLT | STAINLESS STEEL AISI 304 |



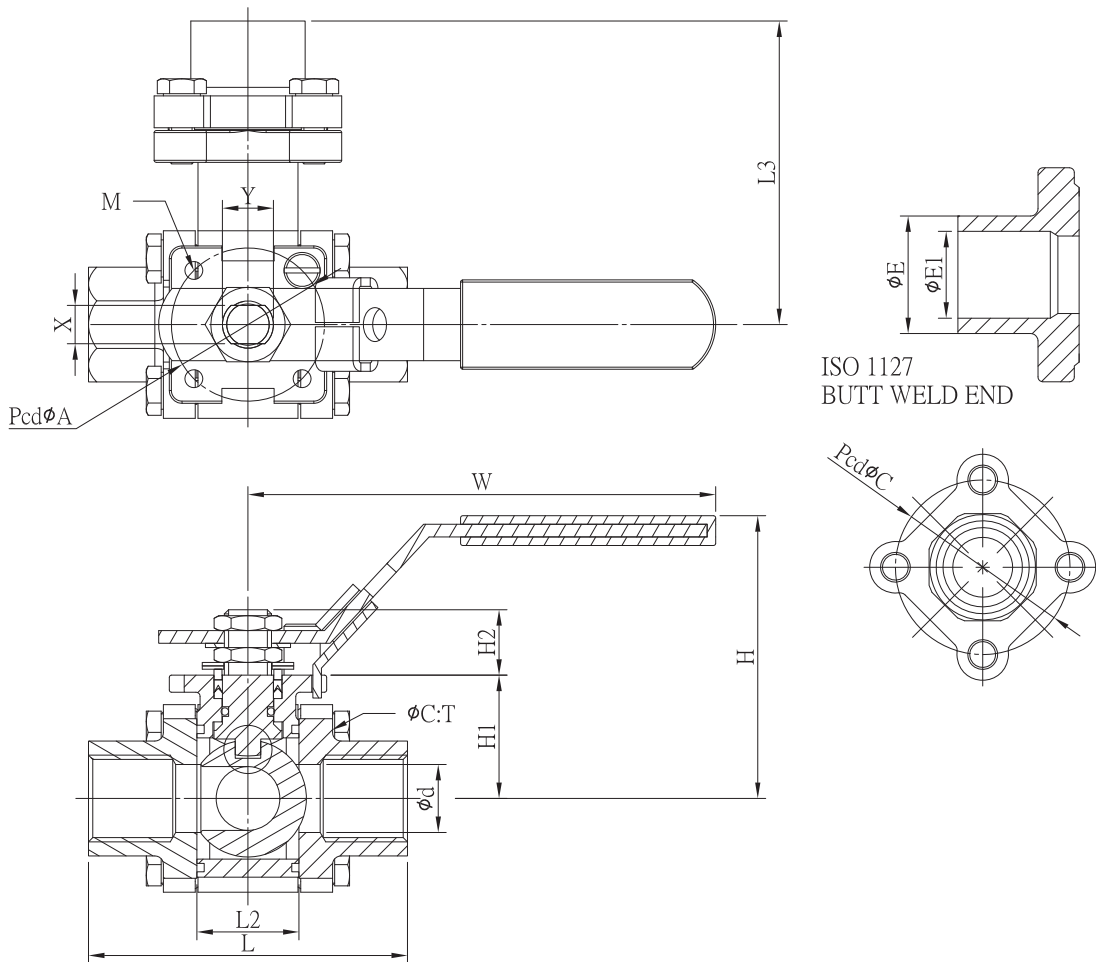
The valve is shown cut through with two safety valves mounted.

DESCRIPTION

- **3-way change-over valve**, used to connect two safety valves to a pipe system with the use of only one pipe joint. In such a case, one safety valve can be in operation while the other is under maintenance.
- **Overlap between the ports** ensures that the pressurized pipe is always connected to atleast one safety valve.
- **Degreased for oxygen use** acc. to EN12300 and the valve is delivered in a sealed plastic bag.
- **3 double maintenance-free stem packing system** with spring washers, PTFE V-rings and FPM O-ring, will provide optimum packing and longer lifetime - also at varying temperatures.
- **Traceability on all valves** and by request a material certificate EN10204/3.1 can be sent with the valve.
- **Seats in 2nd generation PTFE, TFM1600 from 3M Dyneon**, which has many advantages compared to standard PTFE, here among reduced deformation.

DS-1746-UK-02-2019-REV. A
We reserve the right for changes.

DIMENSION

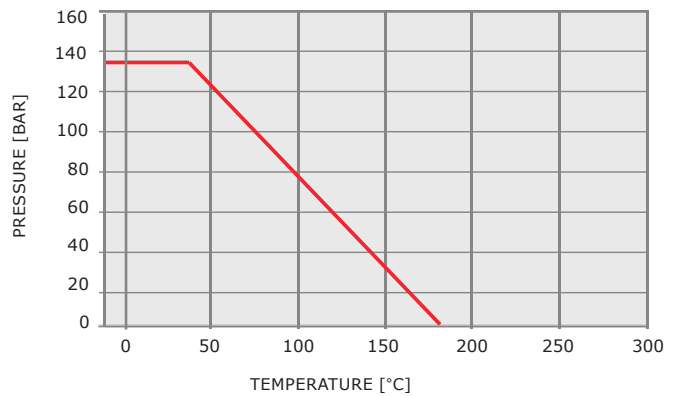


| DIM | VALVE WITH HANDLE | | | | | | | | | | | | ISO TOP FLANGE | | | |
|--------|-------------------|------|------|------|------|------|------|------|------|-----|-------|-------|----------------|----------|--------|-----|
| | [MM] | | | | | | | | | | | | | | | |
| [INCH] | ød | L | L2 | L3 | H | H1 | H2 | øE | øE1 | ØC | PcdøC | W | T | ISO 5211 | M | X |
| 1/2" | 16.0 | 75.0 | 24.0 | 71.4 | 66.0 | 29.0 | 15.4 | 26.9 | 23.7 | 6.5 | 44.0 | 117.0 | M6 | F03 | M5x0.8 | 9.0 |

FLOW PLANS

| PORT | 1 | 2 | 3 | 4 |
|------|---|---|---|---|
| TYPE | L | | | |
| | | | | |

PRESSURE/TEMPERATURE GRAPH



VALVE DATA

| DIM | KV-VALUE | WEIGHT |
|--------|----------|--------|
| [INCH] | [M3/H] | [KG] |
| 1/2" | 5.5 | 0.84 |