

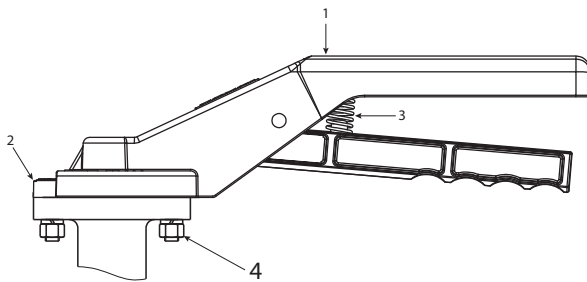
HANDLE FOR BUTTERFLY VALVE TYPE E0400



GENERAL

MATERIAL HANDLE:	ALUMINUM
MATERIAL TOP PLATE:	ALUMINUM
STEM:	90°

econ®

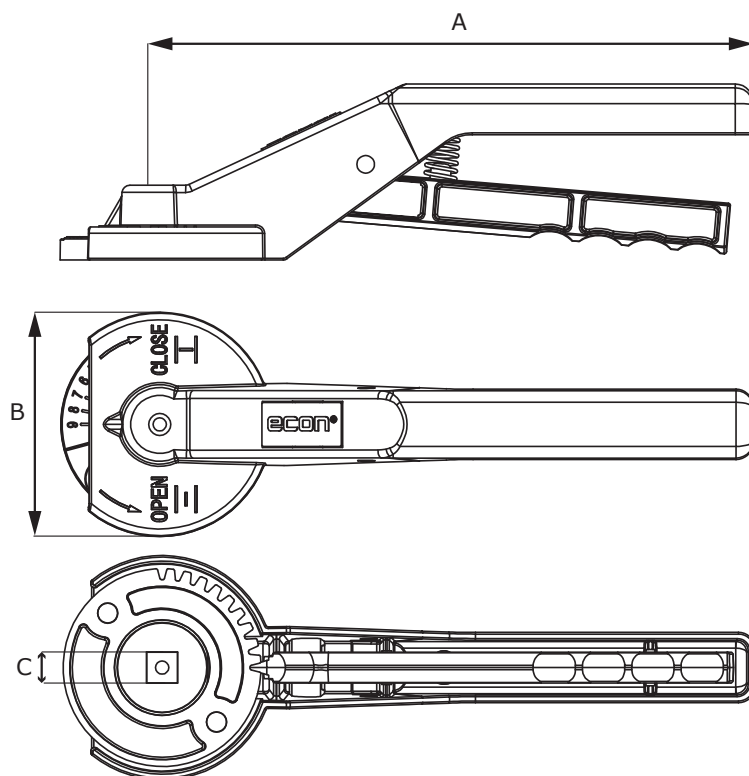


POS	DESCRIPTION	MATERIAL
1	HANDLE	ALUMINUM
2	TOP PLATE	ALUMINUM
3	SPRING	SPRING STEEL
4	BOLT/NUT	STAINLESS STEEL - AISI 304

DESCRIPTION

- **Aluminum lever** for manual operation of butterfly valve Type E6730/E6830.
- **The notched top plate** enables fixation of the valve in various positions.
- **Convenient installation and usage.**

DIMENSIONS



DIM [MM]	HANDLE FOR TYPE E6730/E6830			
	A [MM]	B [MM]	CXC [MM]	ISO 5211
DN32-80	197	74	11 X 11	F05
DN100-125	271	102	14 X 14	F07
DN150	271	102	17 X 17	F07