

SANITARY 2-PCS BUTTERFLY VALVE

TYPE 2600



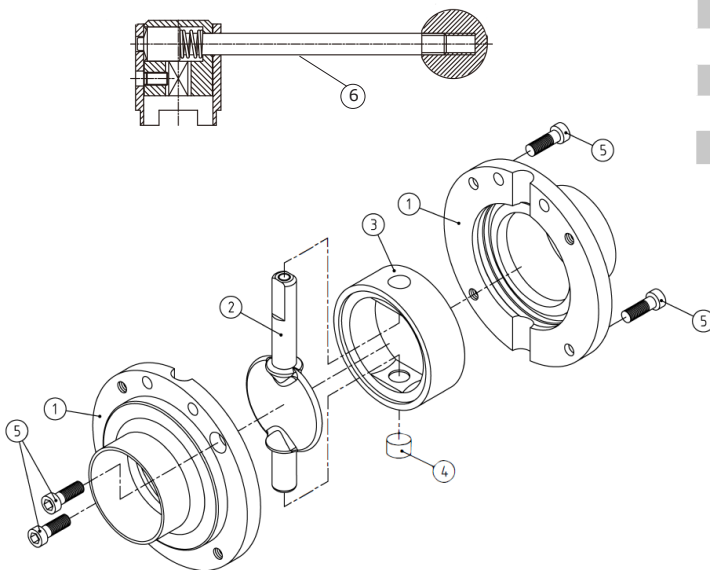
GENERAL

DIMENSION:	DN25 - DN104 (DIN 11850) DN20, DN40 - DN100, DN150 (SMS 3008)
PRESSURE:	10 BAR
TEMPERATURE:	-10°C TO 120°C
OPERATION:	4 POSITIONING HANDLE
CONNECTION:	BUTT WELD DIN 11850-SERIE 2 OR SMS 3008
SURFACE ROUGHNESS:	INSIDE <0.8 µm OUTSIDE <1.6 µm

OPTIONS

OPERATION:	ACTUATOR TYPE 505 OR STAINLESS STEEL CYLINDER TYPE 5126
SURFACE ROUGHNESS:	ELECTRICAL POLISHING
FEEDBACK:	INDUCTIVE, MECHANICAL
LINER:	SILICONE, FPM

MATERIALS

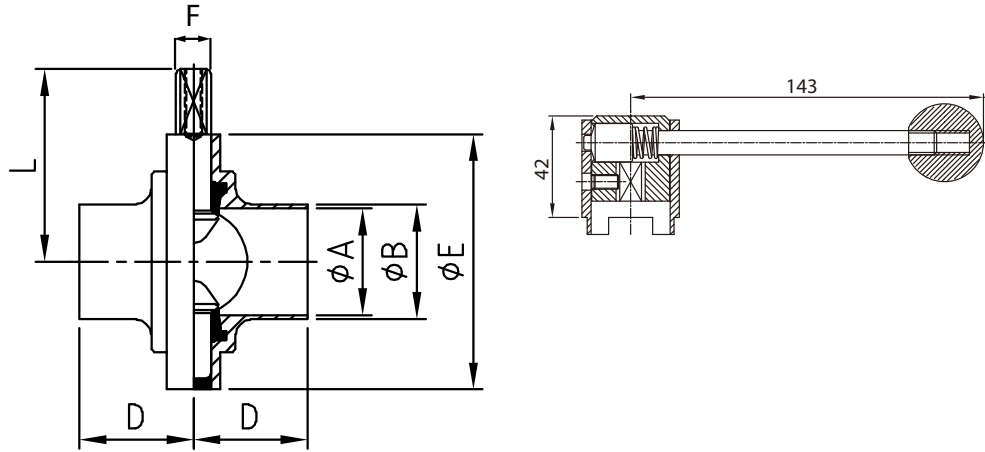


POS	DESCRIPTION	MATERIAL
1	BODY	STAINLESS STEEL AISI 316L
2	DISC AND STEM	STAINLESS STEEL AISI 316L
3	LINER	EPDM
4	COVER	EPDM
5	SCREW BOLTS	STAINLESS STEEL AISI 304
6	HANDLE	STAINLESS STEEL AISI 304

DESCRIPTION

- **Sanitary butterfly valve** in very high quality, designed for usage in the food industry.
- **EC1935 and FDA food grade approvals** are standard and 3.1 material certificate is delivered on request.
- **Easy replaceable rubber liner.** See a video how to replace the liner on our website www.dvc.nu/videos.
- **Weld ends according to SMS 3008 or DIN 11850** are standard.
- **The butterfly valve can be delivered with 4 positioning handle for manual operation or pneumatic actuator** with feedback signals for remote operation. Both solutions are elegant as well as cleaning-friendly.
- **Highly polished stainless steel** surface on both inside and outside makes the valve easily cleanable, and the 2-piece body design simplifies maintenance tasks.

DIMENSIONS



DIN 11850 butt weld ends

DIM	ØB	Wall thickness	ØA	ØE	D	L	F
	[MM]						
DN25	29	1.5	26	79	34	61.0	8x12
DN32	35	1.5	32	85	38	64.3	8x12
DN40	41	1.5	38	90	38	66.7	8x12
DN50	53	1.5	50	105	40	77.6	8x12
DN65	70	2.0	66	125	41	84.8	8x12
DN80	85	2.0	81	137	42	91.6	12x12
DN100	104	2.0	100	157	44	101.7	12x12

SMS 3008 butt weld ends

DIM	ØB	Wall thickness	ØA	ØE	D	L	F
	[MM]						
DN20	25.0	1.20	22.6	79.0	34	61.0	8x12
DN40	38.0	1.20	35.6	85.0	38	74.3	8x12
DN50	51.0	1.20	48.6	105.0	40	77.6	8x12
DN65	63.5	1.60	60.3	112.0	40	84.8	8x12
DN80	76.1	1.60	72.9	125.0	41	91.6	8x12
DN100	101.6	2.00	97.6	157.0	44	101.7	12x12
DN150	152.4	2.80	146.8	216.5	40	138.9	16x16

VALVE DATA

DIM [MM]	MAX. TORQUE [NM]	WEIGHT FREE STEM [KG]
DN20	9.8	1.15
DN25	9.8	1.18
DN32	9.8	1.22
DN40	9.8	1.28
DN50	13	1.32
DN65	15	1.66
DN80	20	1.94
DN100	30	3.00
DN150	70	7.60

Excl. safety factor

PRESSURE / TEMPERATURE

Working pressure:

- 0.9 bar~10 bar

Working temperature:

- Silicon: -20°C~210°C
- EPDM: -10°C~120°C
- Viton: -10°C~210°C