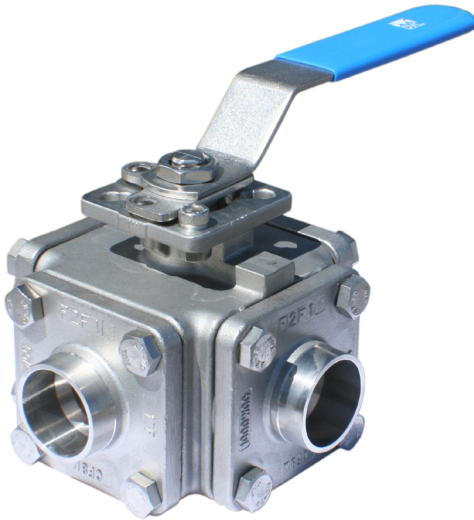


# 3-WAY BALL VALVE WITH BUTT WELD ENDS

TYPE 1615: T-PORT  
TYPE 1715: L-PORT

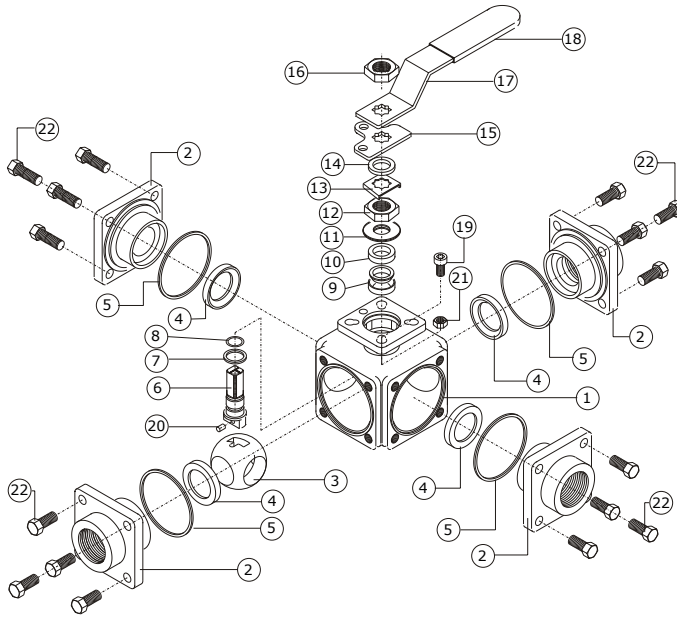


## GENEREL

DIMENSION:	DN08 TO DN100
PRESSURE:	PN55 / 800 WOG
TEMPERATURE:	-29°C TO 210°C
MATERIAL:	STAINLESS STEEL CF8M
ISO TOP FLANGE:	ISO 5211
BUTT WELD ENDS:	ISO 1127

## OPTION

CONSTRUCTION:	4-WAY
CONNECTION:	THREAD, SOCKET WELD OR FLANGE
SEATRING/PACKING:	PTFE, PTFE + 25% CARBON, TFM1600, TFM4215, UPE (UHMWPE), PEEK
DESIGN:	IN-LINE REPAIRABLE TYPE 1616/1716

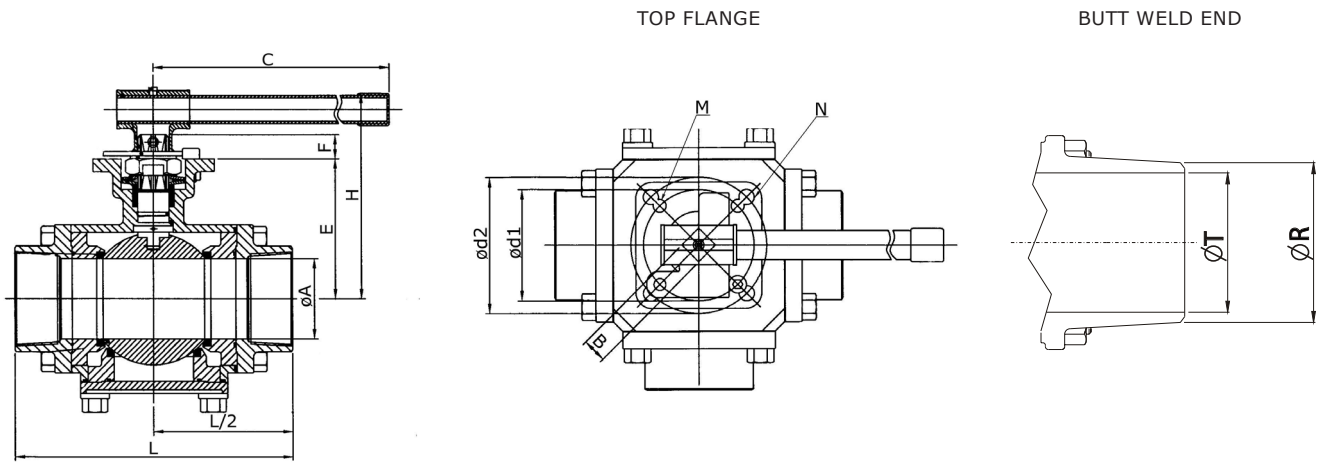


POS	DESCRIPTION	MATERIAL
1	BODY	STAINLESS STEEL CF8M
2	END CAP	STAINLESS STEEL CF8M
3	BALL	STAINLESS STEEL AISI 316
4	SEAT	PTFE + 15% GLASS FIBER
5	JOINT GASKET	PTFE
6	STEM	STAINLESS STEEL AISI 316
7	THRUST WASHER	PTFE + 15% GLASS FIBER
8	O-RING	FPM
9	STEM PACKING	PTFE
10	GLAND	STAINLESS STEEL AISI 304
11	SPRING WASHER	STAINLESS STEEL AISI 301
12	STEM NUT	STAINLESS STEEL AISI 304
13	NUT STOP	STAINLESS STEEL AISI 304
14	SPACE WASHER	STAINLESS STEEL AISI 304
15	STOPPER PLATE	STAINLESS STEEL AISI 304
16	HANDLE NUT	STAINLESS STEEL AISI 304
17	HANDLE	STAINLESS STEEL AISI 304
18	SLEEVE	PLASTIC
19	STOP PIN	STAINLESS STEEL AISI 304
20	INSERT PIN	STAINLESS STEEL AISI 316
21	STOP PIN NUT	STAINLESS STEEL AISI 304
22	BOLTS	STAINLESS STEEL AISI 304

## DESCRIPTION

- **Multifunction.** With 4 possible connection ends, virtually any desired flow direction is achievable. The standard version comes with 3 connection ends - see flow plans on page 2.
- **4 seat rings** settle the ball on all sides, which allows input flow in all connection ends without the occurrence of bypass (leak) behind the ball.
- **Traceability on all valves.** On request material certificate EN10204/3.1 can be delivered with the valve.
- **ISO 5211 mounting flange** for direct mounting of actuator without the use of coupling and bracket. This compact unit gives fewer transitions = less "slack".
- **'Fugitive emissions' packing system** according to ISO EN 15484-1, with spring washers, V-rings and O-ring allows for optimal tightness - both at varying temperature and over time when the packing wears out.
- **Stainless steel weld ends - ISO 1127** is standard.

## DIMENSION

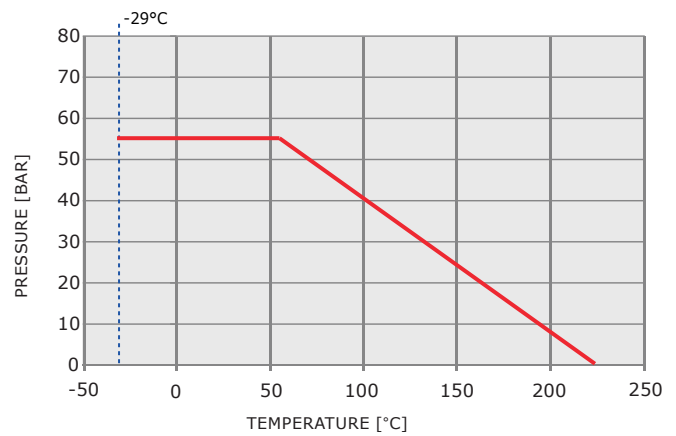


DIM [MM]	VALVE WITH HANDLE					ISO TOP FLANGE						STEM	
	ØA [MM]	C [MM]	E [MM]	H [MM]	L [MM]	ISO 5211	Ød1 [MM]	MX4 [MM]	ISO 5211	Ød2 [MM]	NX4 [MM]	B [MM]	F [MM]
8	10.0	130	37.5	62	87	F03	36	6.0	F04	42	6.0	9	9.5
10	12.5	130	37.5	62	87	F03	36	6.0	F04	42	6.0	9	9.5
15	15.0	130	42.0	64	104	F03	36	6.0	F04	42	6.0	9	11.0
20	20.0	165	49.0	82	111	F04	42	6.0	F05	50	7.1	11	14.0
25	25.0	165	55.0	89	127	F04	42	6.0	F05	50	7.1	11	14.0
32	32.0	205	63.0	98	138	F05	50	7.1	F07	70	9.2	14	17.0
40	38.0	205	74.0	108	158	F05	50	7.1	F07	70	9.2	14	16.0
50	50.0	325	93.0	140	190	F07	70	9.2	F10	102	11.4	17	21.0
65	62.0	400	119.0	169	265	F10	102	11.4	-	-	-	22	25.0
80	76.0	500	137.0	187	290.6	F10	102	11.4	-	-	-	22	25.0
100	96.0	650	157.0	207	345	F10	102	11.4	-	-	-	22	25.0

## FLOW PLANS

PORT TYPE	1	2	3	4
L				
T				

## PRESSURE/TEMPERATURE GRAPH



## VALVE DATA

DIM [MM]	*)TORQUE [NM]	WEIGHT [KG]	Kv-VALUES [m³/h]			BUTT WELD ENDS
			L-PORT	T-PORT STRAIGHT	T-PORT ANGLE	ISO 1127 ØR/ØT [MM]
8	13.4	1.30	3.4	6.0	3.4	13.5/10.3 (1.6)
10	13.4	1.30	4.3	7.7	3.4	17.2/14.0 (1.6)
15	16.6	2.02	5.1	8.5	4.3	21.3/18.1 (1.6)
20	20.0	2.62	13.6	17.9	11.1	26.9/23.7 (1.6)
25	32.5	3.71	26.4	30.6	18.7	33.7/29.7 (2.0)
32	45.0	5.47	27.2	49.3	21.3	42.4/38.4 (2.0)
40	71.9	8.44	63.8	76.5	46.8	48.3/44.3 (2.0)
50	93.3	15.36	119.0	148.8	85.0	60.3/55.1 (2.6)
65	175.1	22.70	178.5	199.8	126.7	76.1/70.9 (2.6)
80	191.8	31.20	318.8	382.5	229.5	88.9/83.7 (2.6)
100	308.5	53.40	569.5	680.0	403.8	114.3/109.1 (2.6)

\*) Torque figure included 30% safety factor.