

## THERMOSTATIC STEAM TRAPS AND AIR ELIMINATORS TSS 22 (Complete stainless steel)

### DESCRIPTION

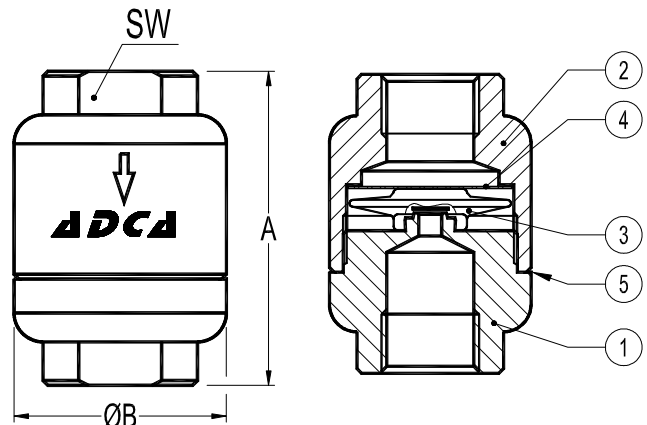
The TSS22 all stainless steel thermostatic steam traps and air eliminators are specifically designed for use on process equipment such as kettle cookers, sterilizers, food, chemical and laundry equipment. The small size makes it ideal for use with a wide variety of this equipment.

Connections are female screwed.

### MAIN FEATURES

- Modulating discharge.
- Discharges condensate close to steam temperature.
- Thermostats for different sub cooling (5°K to 30°K).
- Excellent air discharge.
- Operates on moderate superheated steam.
- Simple and compact design.

- OPTIONS: Welded body  
 USE: Saturated steam  
 AVAILABLE MODELS: TSS22  
 SIZES: 1/4", 3/8", 1/2", 3/4" and 1".  
 CONNECTIONS: Female screwed ISO 7/1 RP (BS21)  
 INSTALLATION: Horizontal or vertical installation  
 See IMI installation and maintenance instructions.



BODY LIMITING CONDITIONS	
THREADED PN 40	RELATED TEMP.
ALLOW. PRES.	
34,4 bar	100 °C
30,8 bar	150 °C
28 bar	200 °C
26 bar	250 °C

PMO - Max. operating pressure 22 bar  
 TMO - Max. operating temperature 250 °C

DIMENSIONS (mm)				
SIZE DN	A	B	SW	WEIGHT Kgs
1/4"	65	44	27	0,5
3/8"	65	44	27	0,5
1/2"	65	44	27	0,45
3/4"	65	44	36	0,47
1"	65	44	40	0,4

MATERIALS		
POS.Nr.	DESIGNATION	MATERIAL
1	Body	AISI304 / 1.4301
2	Cover	AISI304 / 1.4301
3	* Thermostatic element	Stainless steel
4	* Strainer screen	AISI304 / 1.4301
5	* Gasket	St.Steel / Graphite

\* Available spare parts

FLOW RATE CAPACITY IN Kgs/h																
MODEL	SIZE	DIFFERENTIAL PRESSURE (bar)														
		0,2	0,3	0,5	1	1,5	2	3	4	6	8	10	13	15	20	22
<b>TSS 22</b>	<b>1/4" - 1"</b>	45	55	70	95	125	135	180	200	270	315	330	360	370	405	415

Capacities shown refer to condensate at 10°C below saturated steam temperature (standard type-S thermostat).

Thermostats for 5° C type-H and 30° type-L, also available. Capacities for cold condensate discharge at 20°C are two to three times greater.