

# TAG-PLATE AISI 316

## TYPE TAG-PLATE

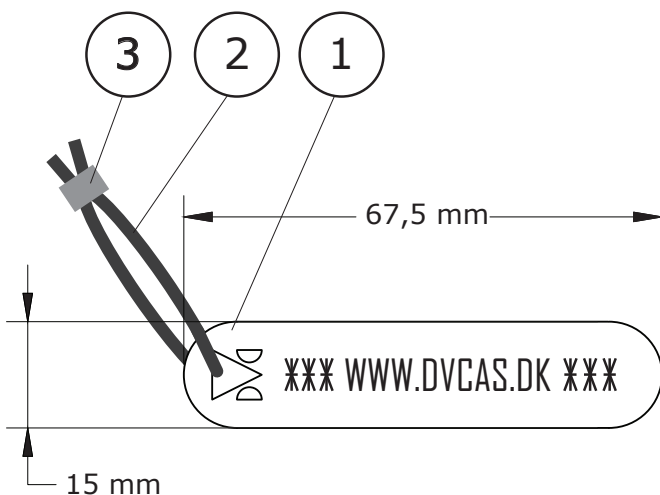


### GENERAL

SIZE:	15 X 65 MM
MATERIAL TAG:	0.9 MM AISI 316
MATERIAL WIRE:	Ø1,5 MM STEEL, NI PLATED + NYLON
WIRE LOCK:	ALUMINIUM
SIGNS:	MAX 20

### OPTIONS

- OTHER SIZES OF TAG-PLATES
- COLOURED TAG-PLATES
- PAPER TAG-PLATES



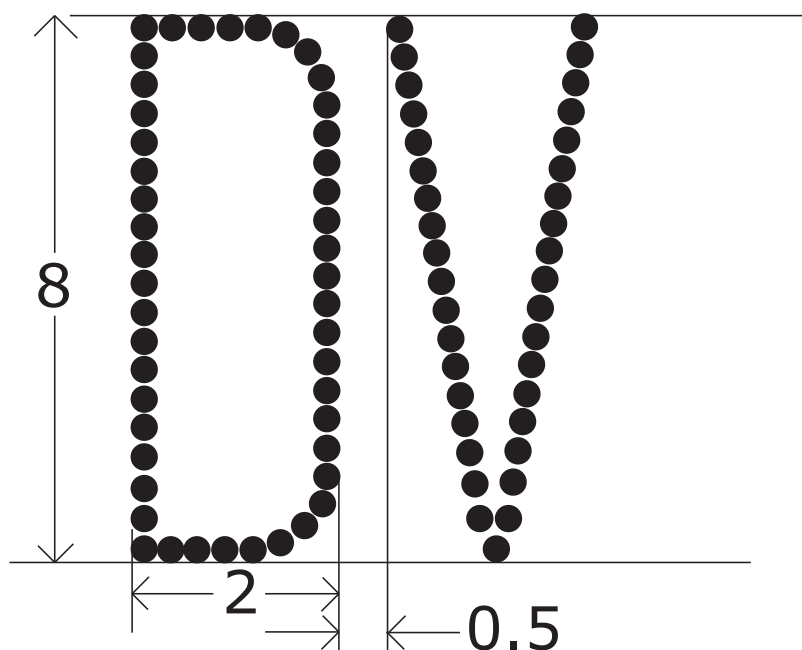
POS	DESCRIPTION	MATERIAL
1	TAG-PLATE	STAINLESS STEEL (AISI 316)
2	WIRE	STEEL, NICKEL PLATED + NYLON
3	WIRE LOCK	ALUMINIUM

DS-TAG-Plate-UK-06-2016-REV. A  
We reserve the right for changes.

### DESCRIPTION

- **Valve TAG-plate** in corrosion resistant stainless steel AISI 316.
- **Robust and tough.** 0.9 mm steel thickness. Compared to a plastic TAG-plate the steel TAG-plate will never get degenerated due to sunlight or chemical environment.
- **Permanent marked** signs by use of computer guided pin marking machine.
- **Easy identification** even after years of usage. The signs are hammered directly into the steel, and cannot be removed like ordinary stickers or labels.
- **High tension** steel wire coated in nylon ensures a permanent hold/fixation of the TAG-plate.
- **Compressed aluminium wire lock** ensures that the wire/TAG will stay in place and never fall off.

**DIMENSION SIGNS [MM]**



THE MAXIMUM AMOUNT OF SIGNS TOTALLY IS 20PCS.  
THIS INCLUDES ALSO "SPACE" OR OTHER SYMBOLS SUCH AS , . ; \_ -

**LETTERS/NUMBERS/SYMBOLS**

a A	b B	c C	d D	e E	f F	g G	h H	i I	j J
k K	l L	m M	n N	o O	p P	q Q	r R	s S	t T
u U	v V	x X	y Y	z Z	æ Æ	ø Ø	å Å	<	>
?	0	1	2	3	4	5	6	7	8
9	!	@	#	\$	%	&	( )	-	
+	{	}	[	]	;	:	"	,	/
=									

SIGNS - LIST