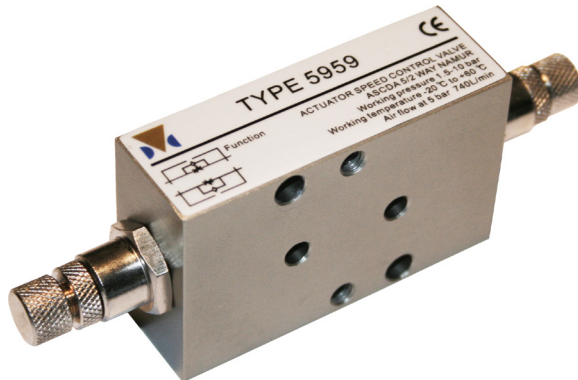


ACTUATOR SPEED CONTROL VALVE NAMUR

TYPE 5959 ASCDA AND ASCSR FOR DOUBLE/SINGLEACTING ACTUATORS TYPE 5958 ASCAP ADAPTOR PLATE

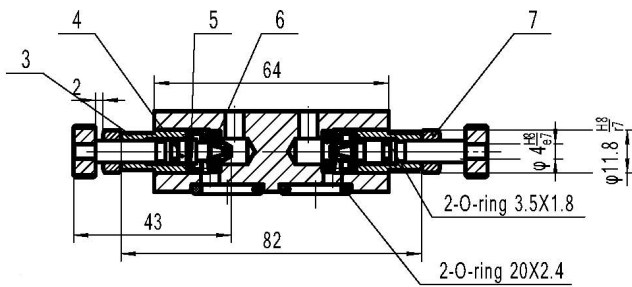


GENERAL

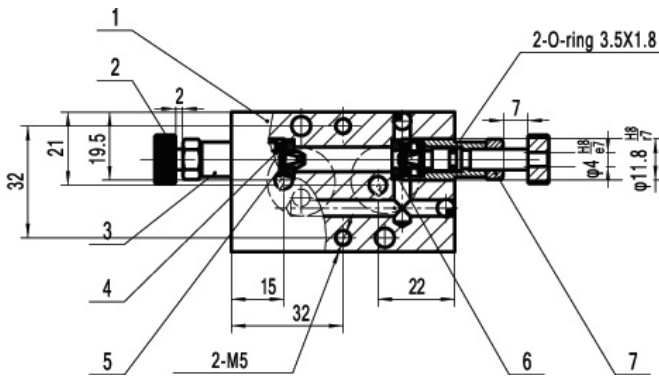
CONSTRUCTION:	ASDA 5/2 - WAY ASCSR 3/2 - WAY
MAX. AIR FLOW:	1400 L/MIN AT 5BAR.
PRESSURE:	1,5 TO 10BAR
TEMPERATURE:	-20°C. TO 60°C.
CONNECTION:	NAMUR
MEDIUM:	AIR OR INERT GAS
SURFACE:	HARD ANODIZED - 40µ

OPTION

PNEUMATIC ADAPTOR PLATE:	ADAPTOR PLATE IS MOUNTED ON THE DROSSEL PLATE WHEN SOLENOIDS ARE NOT DIRECTLY MOUNTED.
--------------------------	--



POS	DESCRIPTION ASDA 5/2 VEJS	MATERIALS
1	BODY	ALUMINIUM, HARD ANODIZED (40µ)
2	NUT	ALUMINIUM, HARD ANODIZED (40µ)
3	SEAT	S.S. (1CR13)
4	STEM	S.S. (1CR13)
5	SPRING	S.S. (1CR18NI9TI) D=0,5
6	O-RING	NBR
7	STOP NUT	S.S. (1CR18NI9TI)



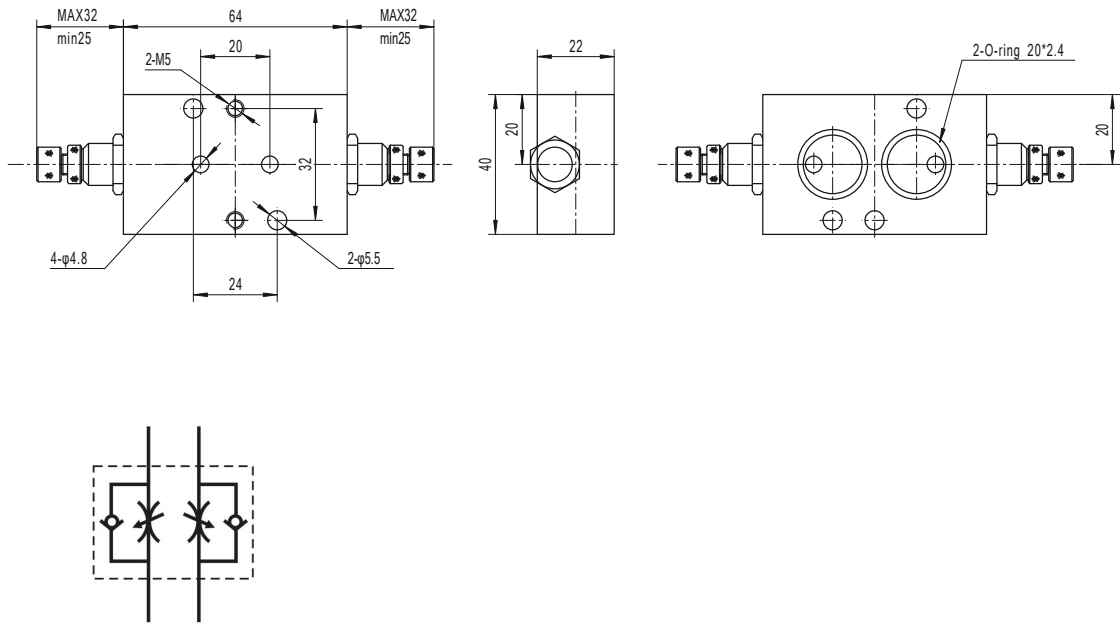
POS	DESCRIPTION ASCSR 3/2 VEJS	MATERIALS
1	BODY	ALUMINIUM, HARD ANODIZED (40µ)
2	NUT	ALUMINIUM, HARD ANODIZED (40µ)
3	SEAT	S.S. (1CR13)
4	STEM	S.S. (1CR13)
5	SPRING	S.S. (1CR18NI9TI) D=0,5
6	O-RING	NBR
7	STOP NUT	S.S. (1CR18NI9TI)

DESCRIPTION

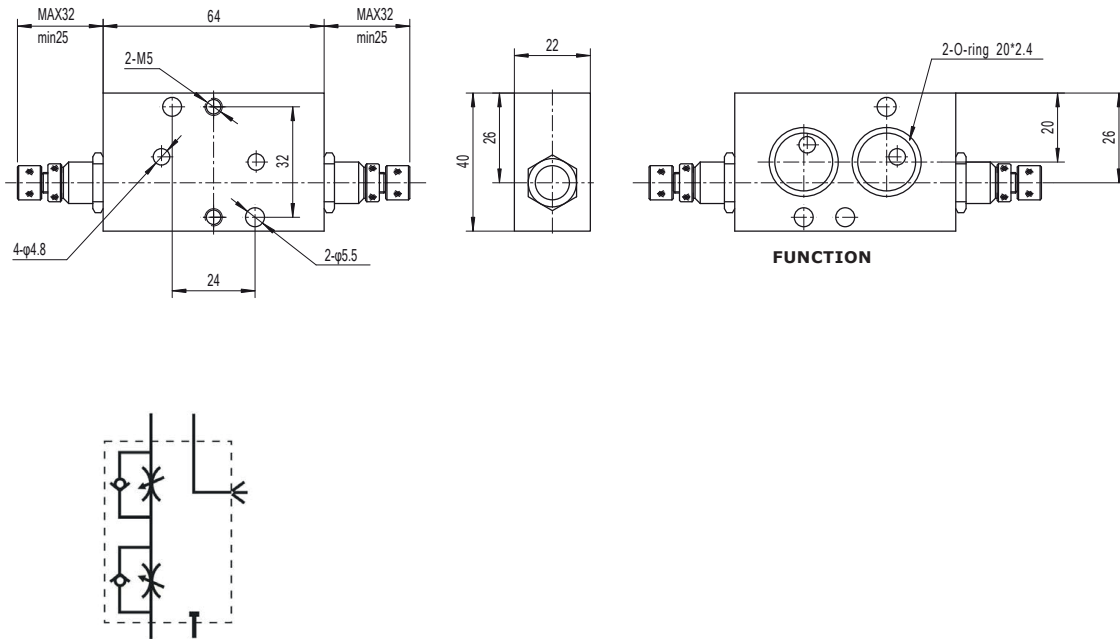
- **5/2 or 3/2 - way Actuator Speed Control Valve** for smooth regulation of opening and closing function of actuators.
- **Precise speed adjustment in both directions.**
- **NAMUR** standard for sandwich mounting with solenoid valves when directly fitted and with adaptor plate when solenoid are placed away from actuator.
- **Surface is hard anodized (40µ)** as protection against corrosion.

DS-5959-UK-02-2021-REV. A
We reserve the right for changes.

DIMENSIONS ASCDA 5/2 WAY



DIMENSIONS ASCSR 3/2 WAY



TYPE 5958 ASCAP "Adaptor plate"

