

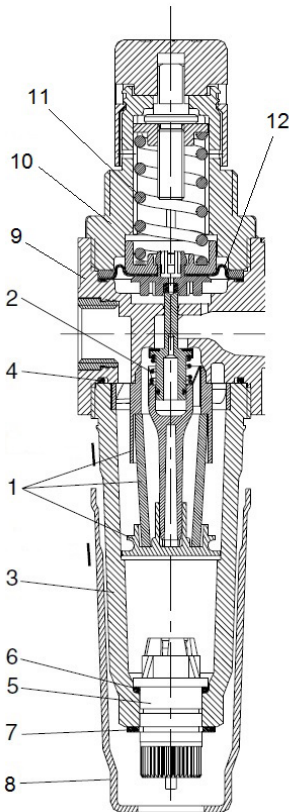
# REGULATOR FOR PRESSURIZED AIR

## TYPE 5412 WITH OR WITHOUT FILTER



### GENERAL

MATERIAL:	FIBERGLASS / POLYCARBONATE
MAX. SUPPLY PRESSURE	AT 23°C: 12 BAR AT 50°C: 10 BAR
CONTROL PRESSURE:	0.5 - 8 BAR
HYSTERESIS:	0.35 BAR
TEMPERATURE:	0°C TO +50°C
FILTER ELEMENT:	25MM
DRAIN:	SEMI AUTOMATIC (HA4)
PORT SIZE:	1/4" BSPP
MANOMETER:	0-10 BAR
APPROVALS:	SIL2



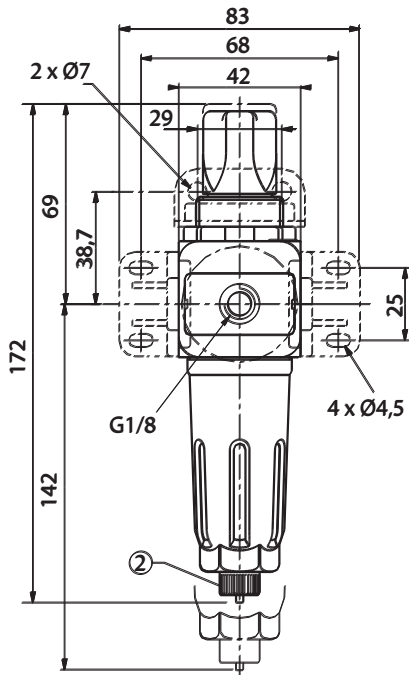
POS	DESCRIPTION	MATERIALS
1	FILTER ELEMENT	POLYETHYLENE
2	RESET SPRING	STEEL
3	BOWL	POLYCARBONATE
4	O-RING	NBR
5	SEMI-AUTOMATIC DRAIN	POM
6	DRAIN O-RING	NBR
7	RETAINING RING	STEEL
8	PROTECTOR	POLYCARBONATE
9	BODY	PA 6.6 (FIBERGLASS)
10	SPRING CAGE	PA 6.6 (FIBERGLASS)
11	SPRING	STEEL
12	DIAPHRAGM	NBR + POLYESTER

### DESCRIPTION

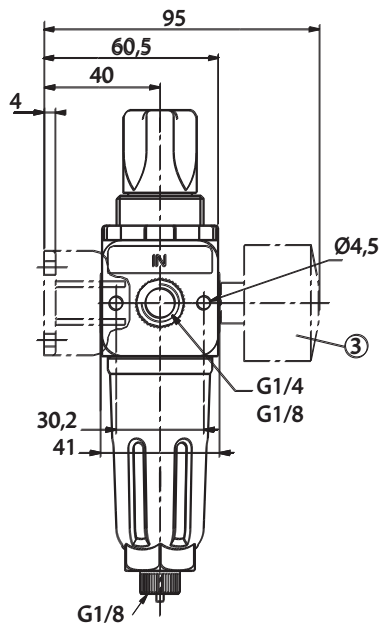
- **Quick installation** and connection to systems.
- **Light weight** and robust design for direct installation on rigid piping.
- **Semi automatic drain** automatically drains off bowl at inlet pressures below 1.2 bar.
- **Supplied with top bracket.**
- **Assembly of additional components** without pipes or fittings with standard brackets.
- **Drain bowl** in transparent and shockproof polycarbonate.
- **Port size** 1/4" BSPP.

DS-5412-UK-04-2020-REV. A  
We reserve the right for changes.

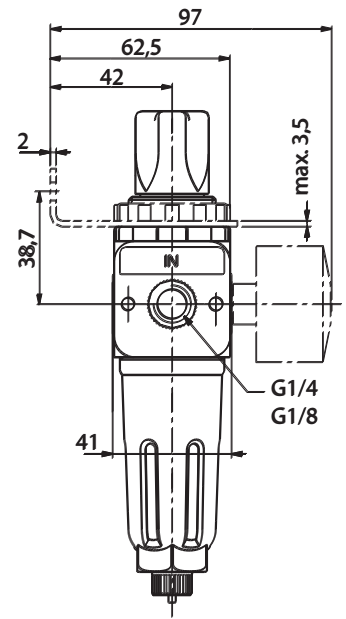
**DIMENSIONS**



Mounting with side brackets



Mounting with top bracket ①



- ① Mounting with top bracket (accessory) and mounting ring
- ② Semi-automatic drain, connectable to G1/8 port

- ③ 40 mm dia. pressure gauge

**PRESSURE LOSS VERSUS AIR FLOW**

