

SOLENOID VALVE NAMUR, 3/2 OR 5/2-WAY

TYPE 5228



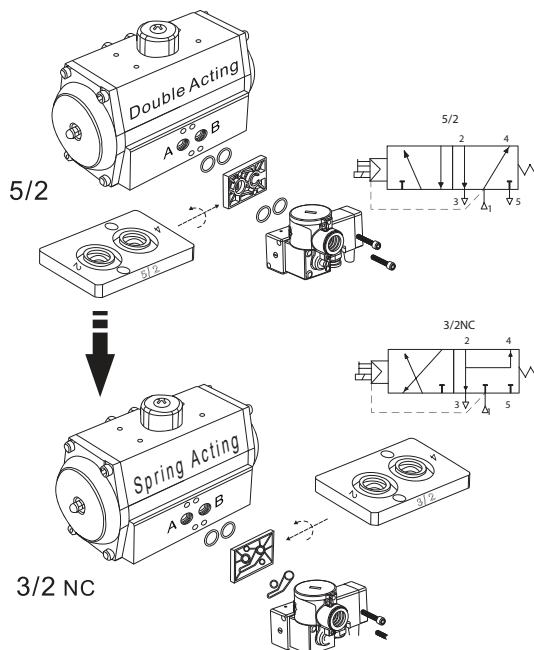
GENERAL

CONSTRUCTION:	3/2 OR 5/2 - WAY (VIA ADAPTOR)
AIR CONSUMPTION:	1100 L/MIN AT 5 BAR.
FLOW RATE:	KV = 0,95M ³ /H
PRESSURE SINGLE COIL:	2 TO 8 BAR
COILS:	24V DC, 230V AC
POWER CONSUMPTION:	24V DC - 3.5W 230V AC - 4VA
AMBIENT TEMPERATURE:	-20°C TO 60°C
CONNECTION:	NAMUR 1/4" INLET/OUTLET
MEDIUM:	AIR OR INERT GAS
WIRE CONNECTION:	M20 X 1,5 FOR GLAND
PROTECTION CLASS - COIL:	FLAMEPROFF IP66
SURFACE SOLENOID:	HARD ANODIZED
SURFACE COIL/ENCLOSURE:	EPOXY COATED
AREA CLASSIFICATION:	Ex d IIC T6

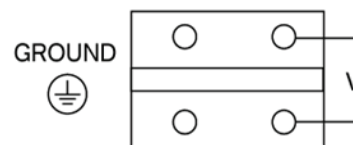
OPTIONS

COIL:	110V AC, 24V AC
CONNECTION:	NAMUR 1/2" INLET/OUTLET DOUBLE COIL (BI-STABLE)

MOUNTING INSTRUCTION



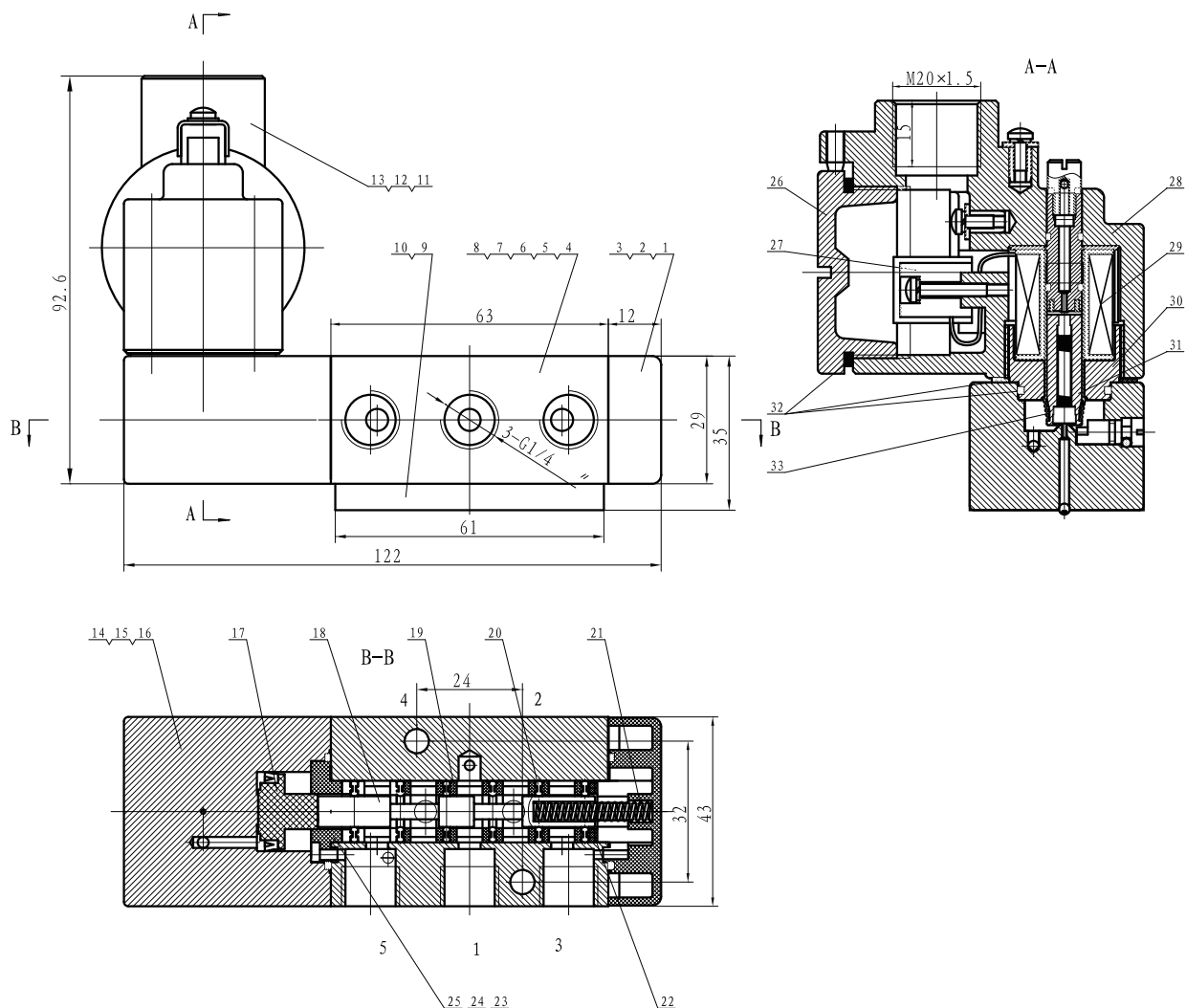
WIRING DIAGRAM



DESCRIPTION

- **Robust industrial 5/2 or 3/2 way solenoid valve** for use in hazardous (Ex d IIC T6) area, as well as harsh outdoor environment.
- **IP66 Flameproof** aluminium enclosure.
- **NAMUR** standard for direct mounting on actuators.
- **Surface is hard anodized** as protection against corrosion (20µ).
- **Low temperature construction.** Can operate at -20°C.
- **100% quality control.** Each solenoid valve is function tested and pressure tested.
- **CE and SIL3 approved.**
- **Manuel operation** for use in testing or when lack of supply voltage.
- **The spring affected piston** ensures that the solenoid valve returns to its starting point at power failure.

DIMENSION AND MATERIALS



POS	BESKRIVELSE	STK	MATERIALE	POS	BESKRIVELSE	STK	MATERIALE
1	BACK COVER	1	PA + 30% GLASS FIBER	18	VALVE CORE	1	ALUMINIUM (6063)
2	BOLT M3X12	4	SS304	19	DISTANCE RING	5	POM
3	WASHER	4	SS304	20	SPOOL O-RING	6	NBR
4	BODY	1	ALUMINIUM (6063)	21	RETURN SPRING	1	STAINLESS STEEL
5	STEEL BALL	1	SS304	22	PISTON COVER	1	POLYETHYLENE
6	DUSTPROOF COVER	1	POLYETHYLENE	23	PISTON COVER	1	POLYETHYLENE
7	DUSTPROOF CAP	3	POLYETHYLENE	24	DOUBLE O-RING	1	NBR
8	BOLT M5X35	2	SS304	25	PISTON COVER	1	POLYETHYLENE
9	5/2 NAMUR PLATE	1	PA + 30% GLASS FIBER	26	COIL COVER	1	ALUMINIUM
10	3/2 NAMUR PLATE	1	PA + 30% GLASS FIBER	27	TERMINAL	1	STAINLESS STEEL
11	BOLT M3X40	4	SS304	28	COIL BODY	1	ALUMINIUM
12	WASHER	4	SS304	29	COIL	1	F CLASS COATED COPPER
13	COIL IP66	1	ELECTRICAL PARTS	30	FIXED POLE PIECE	1	STAINLESS STEEL
14	BOLT M3X12	2	SS304	31	ARMATURE	1	STAINLESS STEEL
15	WASHER	2	SS304	32	SEALS	3	NBR
16	END CAP	1	ALUMINIUM (6063)	33	SPRING	1	STAINLESS STEEL
17	PISTON	1	NYLON 1010				