

CHECK VALVE - WAFER

TYPE 6116

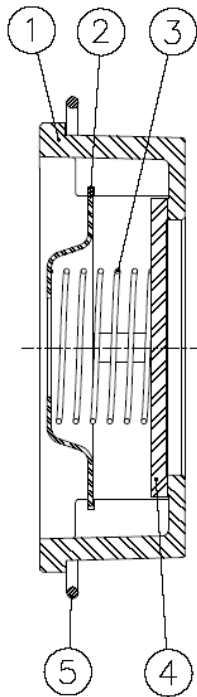


armatec



GENERAL

DIMENSION:	DN15 TO DN100
PRESSURE:	PN40
TEMPERATURE:	-20°C TO 240°C
(PRESSURE AND TEMPERATURE ARE INTERDEPENDENT)	
SEALING:	METALLIC
MATERIAL:	ACID-PROOF STAINLESS STEEL
CONNECTION:	WAFER TYPE
FACE TO FACE:	EN 558-1
COUNTER FLANGES:	EN 1092 PN10/16/25/40, ANSI 150/300

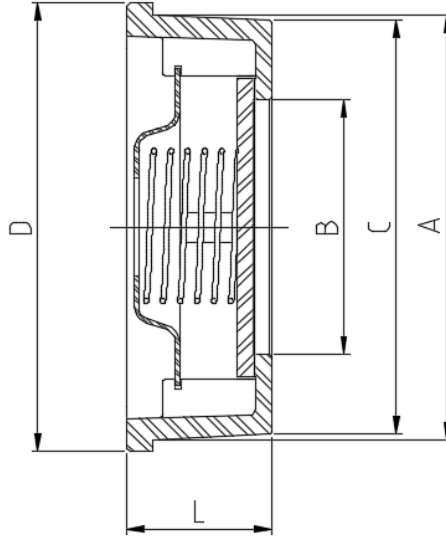


POS	DESCRIPTION	MATERIALS
1	BODY	STAINLESS STEEL 1.4408 (CF8M)
2	SPRING CAP	STAINLESS STEEL AISI 316
3	SPRING	STAINLESS STEEL AISI 316
4	DISC	STAINLESS STEEL 1.4408 (CF8M)
5	CENTERING RING	STAINLESS STEEL

DESCRIPTION

- **Solid check valve** in acid-proof stainless steel with metal seal for mounting between flanges. The valve has a very cleaning-friendly surface.
- **Face-to-face dimensions** are standard (EN 558-1) and the same as the current valves on the market. Therefore the valve can be mounted between many existing flanges.
- **Spring closed disc** allows installation in all directions.
- **Material certificate EN10204/3.1** is available because of the traceability on all check valve.

DIMENSION



DIMENSION		D	A	B	C	L	WEIGHT [KG]
[MM]	[INCH]						
DN15	1/2"	39	34	15	33.0	16	0.085
DN20	3/4"	46	41	20	40.0	19	0.122
DN25	1"	54	49	25	47.5	22	0.198
DN32	1 1/4"	70	62	32	59.5	28	0.380
DN40	1 1/2"	81	71	40	68.0	32	0.520
DN50	2"	94	85	48	81.5	40	0.775
DN65	2 1/2"	113	102	62	97.0	46	1.240
DN80	3"	132	123	75	117.5	50	1.865
DN100	4"	150	140	95	134.5	60	2.650

VALVE DATA

Opening pressure [mbar] ↑ ↓ →	Kv [m ³ /h]	
DN 15	24~30	4.9
DN 20	24~30	8.8
DN 25	24~30	11.2
DN 32	24~30	20.7
DN 40	24~30	29.0
DN 50	24~30	40.0
DN 65	24~30	57.0
DN 80	20~26	85.0
DN 100	20~26	92.0

PRESSURE / TEMPERATURE

