

ELECTRO-PNEUMATIC POSITIONER - SIPART

TYPE 5410 - PS2



GENERAL

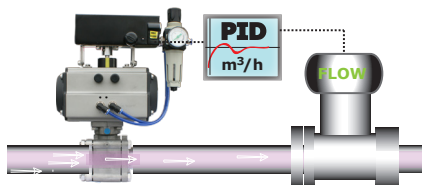
INPUT SIGNAL:	4 - 20 mA, TWO-WIRE TECHNOLOGY
STROKE RANGE:	3 - 100 MM RESP. 30°-100°
SUPPLY AIR:	1.7 - 7 BAR (25-102 PSI)
CONTROL ACCURACY:	~0.2%
AMBIENT TEMPERATURE:	-30°C TO +80°C
HOUSING:	GLASS-FIBER REINFORCED MAKROLON
PROTECTION CLASS:	IP66 / NEMA 4X

OPTION

DESIGN:	ATEX
PLUG-IN MODULES FOR:	ANALOG POSITION FEEDBACK (4 - 20 mA) DIGITAL POSITION FEEDBACK (FOR MIN./MAX. POSITION) SAFETY SHUTDOWN MODULE.
KIT FOR SWITCH BOX:	INDUCTIVE SENSOR (NC OR NO) MECHANICAL MICRO SWITCH 24V AC/DC
ACCESSORIES:	PRESSURE GAUGE BLOCK FILTER REGULATOR

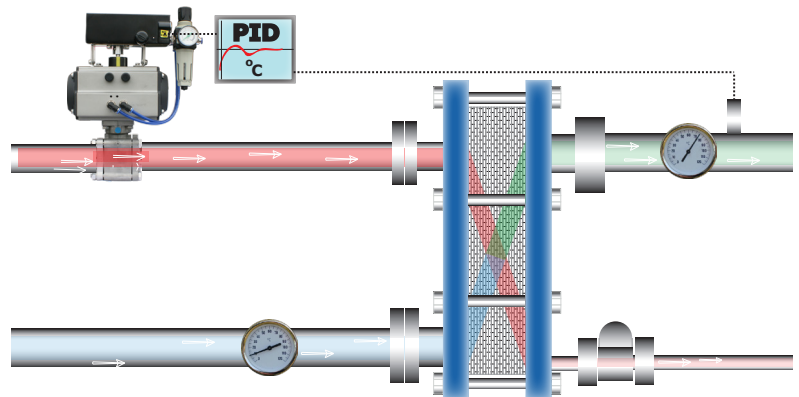
APPLICATION

Flow control

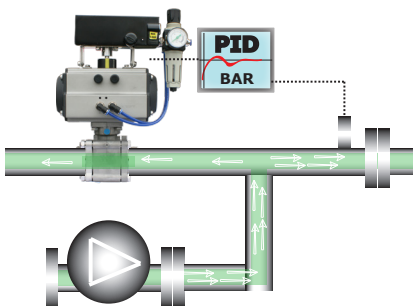


Temperature control on a heat exchanger.

Media type: Steam, hot water, hot oil, ice water, glycol etc.



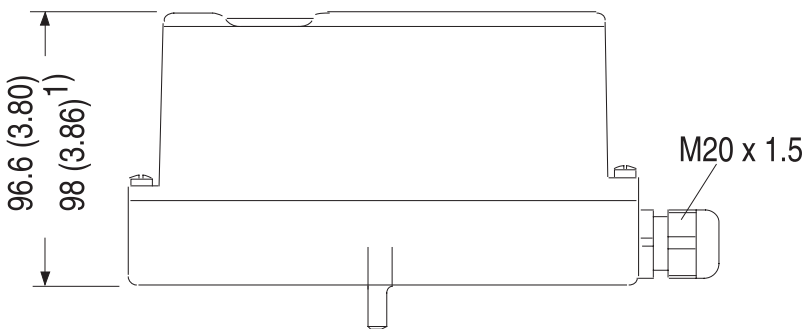
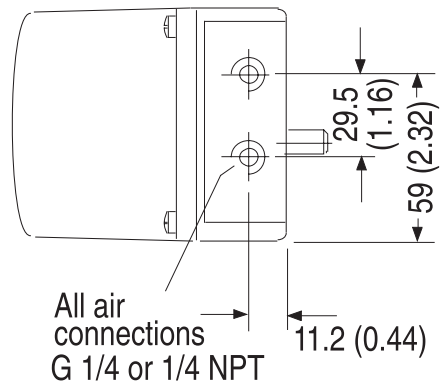
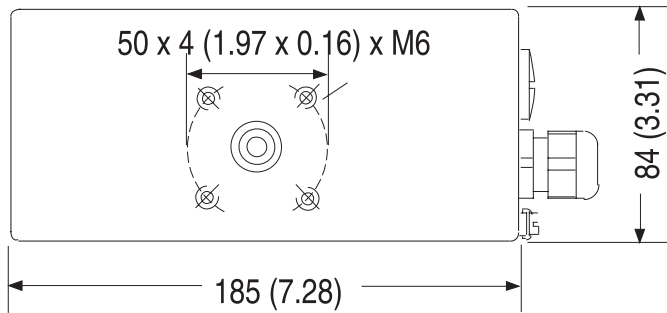
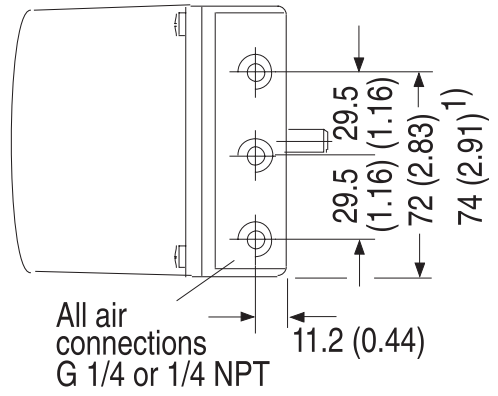
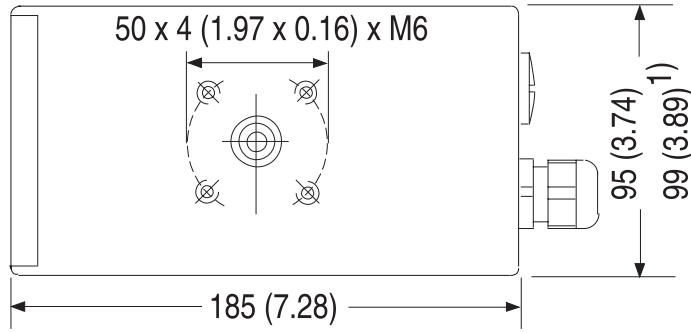
Pressure control / bypass valve



DESCRIPTION

- Electropneumatic positioner for control valves.
- Only needs to pull one cable (2 wires), as it operates on 3,6 mA.
- 4-20 mA, 20-4 mA and split range.
- Flapper - Nozzle principle
Advantages:
Less sensitive to dirt in the supply air.
Less sensitive to oil and water remains in the air.
Less sensitive to vibrations.
Regulates on low supply air.
- Available with Profibus and Foundation Fieldbus.
- Easy initialisation - only needs one touch.
- Optimised algorithm for extremely fast and accurate positioning.
- Integrated diagnostical function.
- Robust design and function.
- Large program span with many options.

DIMENSIONS



1) For stainless steel version only

PLASTIC AND STAINLESS STEEL CASING (TOP), ALUMINUM CASING (CENTER), PLASTIC AND METAL CASING (BOTTOM), DIMENSIONS IN MM (INCH).