

# 3-PCS CHECK VALVE WITH WELD/THREAD ENDS

## TYPE 6015

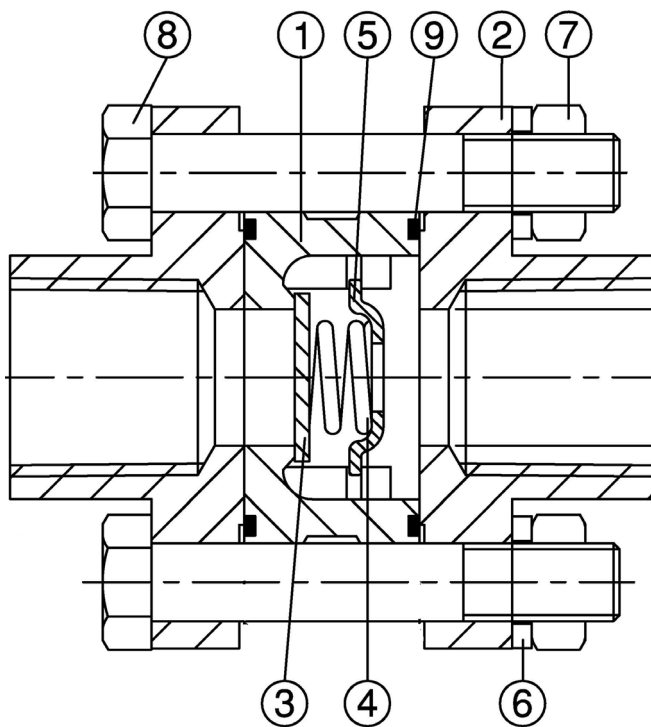


### GENERAL

DIMENSION:	1/4", 1/2" TO 2" DN8, DN15 TO DN100
PRESSURE:	PN63
TEMPERATURE:	-20°C TO 200°C (PRESSURE AND TEMPERATURE ARE INTERDEPENDENT)
MATERIAL:	ACID-PROOF STAINLESS STEEL
CONNECTION:	THREADED ENDS - BSPP BUTT WELD ENDS - EN 12627

### OPTION

SIZE:	3/8", DN10
CONNECTION:	BSPT - BS 21 NPT - ANSI B2.1

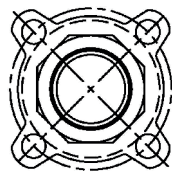
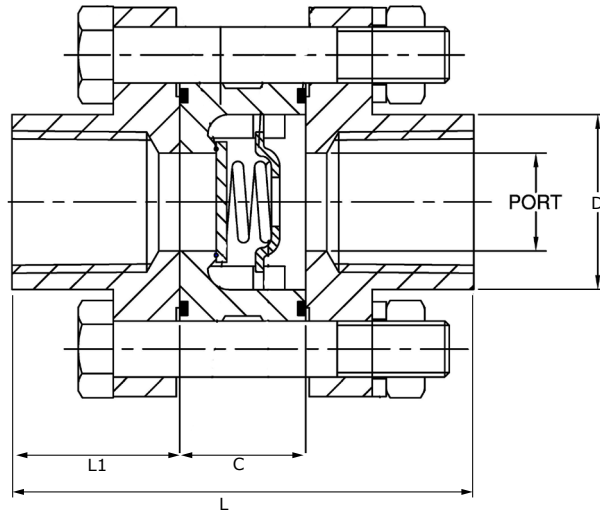


POS	DESCRIPTION	MATERIAL
1	BODY	STAINLESS STEEL 1.4408
2	END CAP	STAINLESS STEEL 1.4408
3	DISC	STAINLESS STEEL AISI 316
4	SPRING	STAINLESS STEEL AISI 316
5	SPRING HOLDER	STAINLESS STEEL AISI 316
6	WASHER	STAINLESS STEEL AISI 304
7	NUT	STAINLESS STEEL AISI 304
8	BOLT	STAINLESS STEEL AISI 304
9	BODY SEAL	PTFE

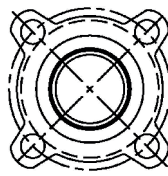
### DESCRIPTION

- **3-piece design** allows for easy inspection and replacement of middle part.
- **The check valve** in acid-proof stainless steel has a very cleaning-friendly surface.
- **The check valve offer a good economical solution**, as they include washers, gaskets and end caps. You save on counter flanges, washers, gaskets, bolts and nuts.
- **The spring activated disc** enables installation in all directions.
- **Material certificate EN10204/3.1** is available because of the traceability on all check valves.

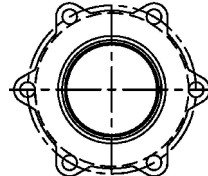
## DIMENSIONS



1/4" - 2"



2 1/2" - 3"



4"

DIMENSION		PORT [MM]	C [MM]	D [MM]		L [MM]		L1 [MM]		WEIGHT [KG]
[MM]	[INCH]			THREAD	BW	THREAD	BW	THREAD	BW	
DN 8	1/4"	10.0	18.0	22.0	18.0	60.0	66.0	21.0	24.0	0.27
DN 10	3/8"	12.5	18.0	22.0	20.5	60.0	66.0	21.0	24.0	0.23
DN 15	1/2"	14.0	19.0	26.0	22.0	63.0	67.0	22.0	24.0	0.37
DN 20	3/4"	19.0	24.0	32.0	28.0	71.0	81.0	23.5	28.5	0.52
DN 25	1"	25.0	29.5	39.0	32.6	81.5	89.5	26.0	30.0	0.72
DN 32	1 1/4"	31.0	33.0	49.0	41.7	91.0	92.0	29.0	29.5	1.25
DN 40	1 1/2"	39.0	37.5	56.0	47.7	97.5	103.5	30.0	33.0	1.67
DN 50	2"	49.0	47.0	69.0	60.0	117.0	117.0	35.0	35.0	2.45
DN 65	2 1/2"	64.0	47.5	83.0	78.0	131.5	131.5	42.0	42.0	4.30
DN 80	3"	78.0	55.5	100.0	91.5	143.5	143.5	44.0	44.0	6.20
DN 100	4"	97.0	70.5	122.5	115.0	174.5	174.5	52.0	52.0	11.00

## VALVE DATA

DN	Opening pressure [mbar]			Kv [m <sup>3</sup> /h]
	▲	▼	►	
DN 8	25	21	23	1.5
DN 10	25	21	23	2.4
DN 15	25	21	23	3.0
DN 20	25	21	23	5.6
DN 25	25	21	23	9.4
DN 32	27	21	24	14.6
DN 40	29	21	25	20.9
DN 50	29	21	25	37.4
DN 65	25	21	23	66.2
DN 80	32	21	26	94.6
DN 100	33	21	27	159.9

## PRESSURE / TEMPERATURE

