

DOUBLE ECCENTRIC BUTTERFLY VALVE

TYPE 2560: PN16 WAFER

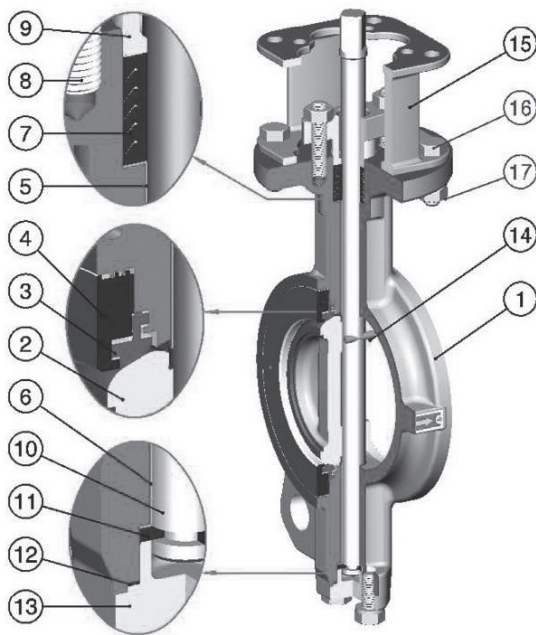


GENERAL

DIMENSIONS:	DN 50 TO DN 600
PRESSURE:	PN 16
BODY:	ASTM A216 WCB OR CF8M
DISC:	CF8M
SEAT:	PTFE + 15% GRAPHITE
STEM SEALS:	PTFE + 15% GRAPHITE
TOPWORKS:	ISO 5211
OPERATING:	FREE STEM
COUNTER FLANGES:	PN10, PN16, ANSI 150

OPTIONS

DIMENSIONS:	LARGER SIZES ON REQUEST
PRESSURE:	PN25, PN40, PN100, ANSI 150, ANSI 300, ANSI 600
BODY/DISC/STEM:	OTHER MATERIALS ON REQUEST
SEAT:	PTFE, RTFE, PTFE+A240 316, PTFE + INCONELL
STEM SEALS:	VACUUM, LIVELOAD, VOLATILE EMISSION
TEMPERATURE:	-100°C TO 500°C
TYPE:	FIRESAFE

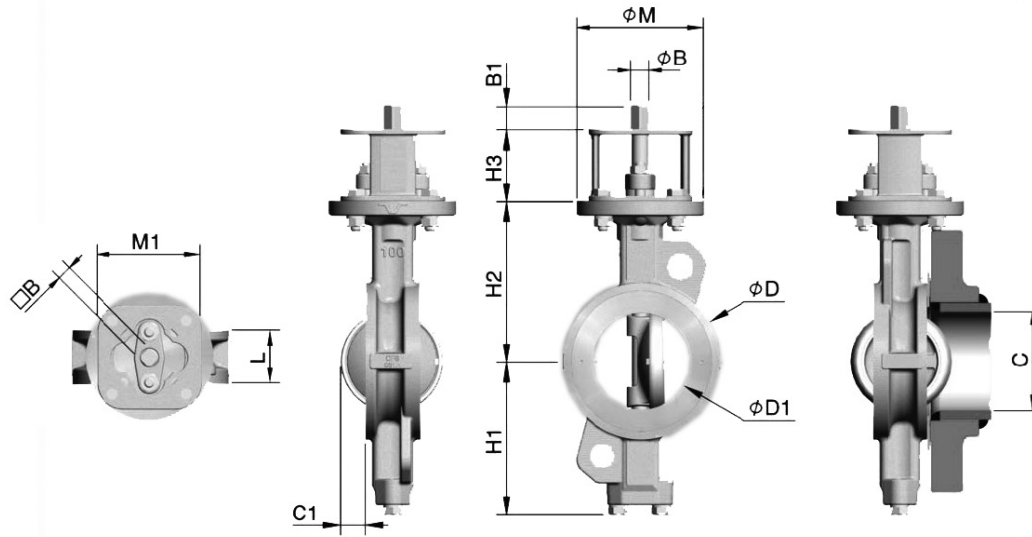


POS	DESCRIPTION	STEEL	STAINLESS STEEL
1	VALVE BODY	ASTM A216 WCB	CF8M
2	DISC		CF8M
3	SEAT RING	PTFE + 15% GRAPHITE	
4	SEAT RETAINER		CF8M
5	BUSHING	PTFE + AISI 316	
6	BUSHING	PTFE + AISI 316	
7	GLAND PACKING	PTFE	
8	STUD	AISI 304	
9	GLAND	CF8	
10	STEM	17-4PH / SS 630	
11	THRUST RING	AISI 316	
12	SEAL	PTFE	
13	BOTTOM COVER	ASTM A216 WCB	CF8M
14	PIN	AISI 316	
15	YOKE	WCB	CF8
16	BOLT	AISI 304	
17	NUT	AISI 304	

DESCRIPTION

- **High industrial quality double eccentric butterfly valve.**
- **One-piece stem design** with ISO 5211 mounting and square drive.
- **Bi-directional bubble tight shut off** at full pressure differential.
- **Upper and lower bearing** are constructed of PTFE + AISI 316.
- **Volatile Emissions Packing System on request.**
- **Approvals:** PED Module H, API598, ASME B16.34, TA-luft, ISO15848-1, ANSI/ISA-SP-93, SIL3, ATEX 94/9/CE (2GD).

DIMENSIONS



SIZE	F-F [MM]	VALVE DIMENSION [MM]								MOUNTING FLANGE [MM]				STEM [MM]			WEIGHT [KG]
DIM	L	H1	H2	H3	ØD	ØD1	C*	C1	ISO	ØM	YOKE		M1	ØB	□B	B1	
DN50	43	99	118	60	92	37	49.5	2	F07	90	F07	F05	70	14	11X11	18	3.9
DN65	46	110	125	60	108	63	62.3	15	F07	90	F07	F05	70	14	11X11	18	4.5
DN80	47	128	140	70	126	78	65.9	22	F10	125	F10	F07	102	18	14X14	23	7.0
DN100	53	150	157	70	153	95	93	25	F10	125	F10	F07	102	18	14X14	23	9.0
DN125	57	163	170	70	184	118	120	36	F10	125	F10	F07	102	22	17X17	23	12.0
DN150	56	176	185	70	212	143	149	50	F10	125	F10	F07	102	22	17X17	23	13.5
DN200	62	206	220	80	268	188	196	70	F12	150	F12	F10	125	25	19X19	28	22.0
DN250	68	238	260	80	326	236	243	90	F12	150	F12	F10	125	28	22X22	28	32.0
DN300	78	269	290	100	375	282	289	106	F14	175	F14	F12	160	35	27X27	28	48.0
DN350	78/92	306	326	100	416	322	329	125	F14	175	F14	F12	160	36	27X27	37	66.0
DN400	102	342	370	120	476	371	377	140	F16	210	F16	F14	195	48	36X36	47	107.0
DN450	114	370	395	120	534	418	423	157	F16	210	F16	F14	195	48	36X36	47	130.0
DN500	127	399	430	120	588	466	471	177	F16	210	F16	F14	195	60	46X46	56	163.0
DN600	154	455	490	150	692	570	572	210	F25	300	F25	-	300	60	46X46	56	278.0

* MINIMUM INNER PIPE DIAMETRE

SUITABLE COUNTER FLANGES (MUST BE SPECIFIED AT ORDER)

ASME 150LB	ALL SIZES	DIN PN40	ONLY DN65, DN80, DN100, DN125
ASME 300LB	ONLY DN65, DN80, DN100, DN125	DIN PN50	ONLY DN65, DN80, DN100, DN125
DIN PN10	ALL SIZES	JIS 10K	ALL SIZES
DIN PN16	ALL SIZES	JIS 16K	ALL SIZES
DIN PN20	ALL SIZES	JIS 20K	ALL SIZES EXCEPT DN50, DN600
DIN PN25	ALL SIZES	B.S. 10 TABLE E	ALL SIZES

SIZE	TORQUE CHART (NM) INCL 30% SAFETY FACTOR						KVS [M3/H]
	0BAR ΔP	5BAR ΔP	10BAR ΔP	16BAR ΔP	20BAR ΔP	25BAR ΔP	
DN50	13	15	17	21	22	25	131
DN65	19	22	29	36	41	51	222
DN80	26	29	37	45	51	59	337
DN100	35	41	51	64	77	85	527
DN125	51	64	76	93	105	127	823
DN150	62	83	103	127	147	176	1186
DN200	89	114	147	178	204	242	1505
DN250	150	211	261	335	394	489	2293
DN300	196	294	374	560	625	828	3754
DN350	382	539	784	1011	1176	1323	5129
DN400	573	686	980	1203	1372	1568	6675
DN450	783	963	1225	1494	1666	1911	8044
DN500	1000	1411	1764	2175	2470	2822	10168
DN600	1225	1680	2205	2720	3045	3325	17081

PRESSURE/TEMPERATURE

