

NEEDLE VALVE - FIG. 226

TYPE 3710

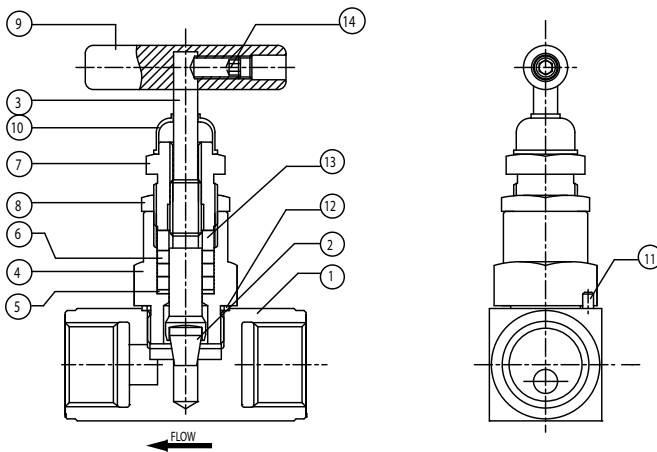


armatec



GENERAL

DIMENSION/PRESSURE:	1/4" TO 1" PN420 (PRESSURE DEPENDS ON TEMPERATURE)
MATERIAL:	STAINLESS STEEL AISI 316
THREAD:	BSPP - ISO228 (DIN259)
STEM PACKING:	PTFE
TEMPERATURE:	-10° C TO +250° C

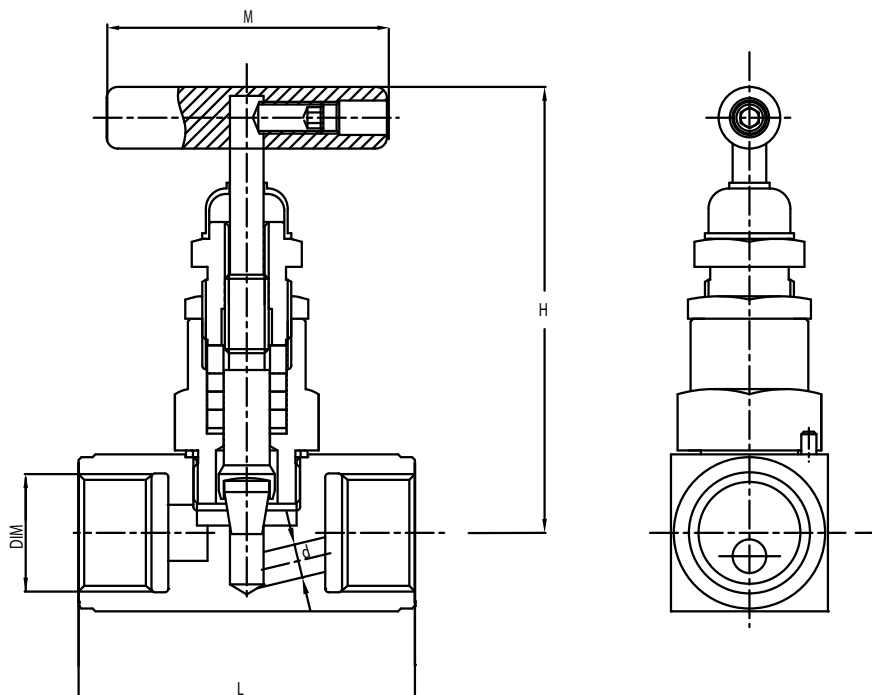


POS	DESCRIPTION	MATERIAL
1	BODY	STAINLESS STEEL AISI 316
2	PLUG	STAINLESS STEEL AISI 316
3	STEM	STAINLESS STEEL AISI 316
4	BONNET	STAINLESS STEEL AISI 316
5	GLAND SEAT	STAINLESS STEEL AISI 316
6	GLAND SEAL	PTFE
7	GLAND	STAINLESS STEEL AISI 304
8	CHECK NUT	STAINLESS STEEL AISI 304
9	HANDLE	STAINLESS STEEL AISI 304
10	DUST CAP	POLYPROPYLENE
11	ROLL PIN	STAINLESS STEEL AISI 304
12	WASHER	STAINLESS STEEL AISI 316
13	GLAND RETAINER	STAINLESS STEEL AISI 304
14	GRUB SCREW	STAINLESS STEEL AISI 304

DESCRIPTION

- **Stainless and user-friendly handles.**
- **Can be used to control and shut-off purposes** in media such as steam, oil, gas, liquids, etc.
- **Excellent control properties** due to the small pitch of the spindle, and special design of the valve seat and plug.

DIMENSION



VALVE WITH HANDLE					
DIM.	d [mm]	L [mm]	H [mm]	M [mm]	Kv-value [m ² /h]
[INCH]					
1/4"	3	53	78	50	0.18
3/8"	4	55	78	50	0.30
1/2"	6	60	80	50	0.63
3/4"	8	80	97	60	1.34
1"	8	80	99	60	1.34

VALVE DATA

PRESSURE / TEMPERATURE	
TEMPERATURE [C°]	MAX PRESSURE [BAR]
20	420
200	320
250	250