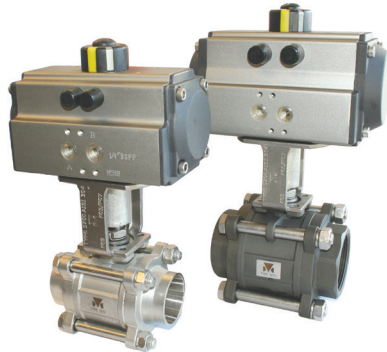


3-PC BALL VALVE, FULL BORE

TYPE 1213: STEEL
TYPE 1313: STAINLESS STEEL



GENERAL

SIZE/PRESSURE: 1/4" TO 2" FB = 69 BAR
 2 1/2" TO 4" FB = 55 BAR
 (PRESSURE DEPENDS OF PACKING MATERIAL AND TEMPERATURE)

MATERIAL: STEEL AND STAINLESS STEEL

THREAD: BSPP - DIN259

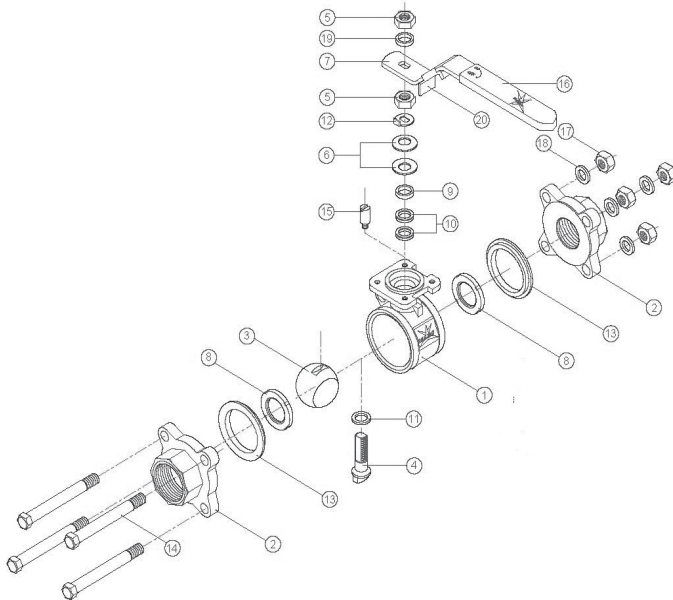
BUTT WELD ENDS: TYPE 1213 - EN 12627
 TYPE 1313 - DIN 2463 / ISO 1127 LINE 1

ISO TOP FLANGE: ISO 5211

OPTION

CONNECTION: BSPT, NPT, ANSI B 2.1, JISPT, SOCKET WELD ANSI B 16.11
 LONG BUT WELD ENDS AND FLANGES

SEAT/PACKING: VARIOUS MATERIALS



POS	DESCRIPTION	MATERIAL STAINLESS STEEL 1313
1	BODY*	STAINLESS STEEL CF8M
2	CONNECTION*	STAINLESS STEEL CF8M
3	BALL	STAINLESS STEEL CF8M
4	STEM	STAINLESS STEEL AISI 316
5	STEM NUT	STAINLESS STEEL AISI 304
6	BELLEVILLE WASHER	STAINLESS STEEL AISI 301
7	HANDLE	STAINLESS STEEL AISI 304
8	SEAT	PTFE WITH 25% CARBON FIBER
9	GLAND	STAINLESS STEEL AISI 304
10	STEM SEAL	PTFE
11	THRUST WASHER	PTFE WITH 25% CARBON FIBER
12	LOCK SADDLE	STAINLESS STEEL AISI 304
13	JOINT GASKET	PTFE
14	BOLT	STAINLESS STEEL AISI 304
15	STOP BOLT	STAINLESS STEEL AISI 304
16	SLEEVE	VINYL
17	NUT	STAINLESS STEEL AISI 304
18	WASHER	STAINLESS STEEL AISI 304
19	WASHER	STAINLESS STEEL AISI 304
20	LOCKING DEVICE	STAINLESS STEEL AISI 304

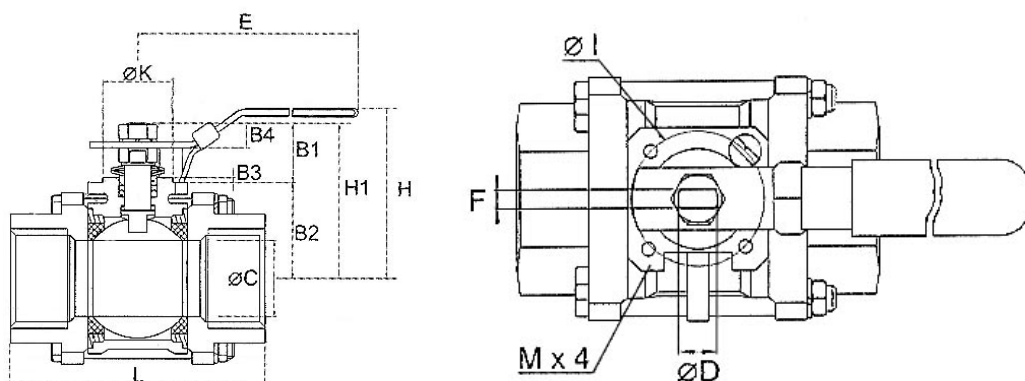
* TYPE 1213: A216 GR. WCB

DESCRIPTION

- **Industrial ball valve.** All ball valves are pressure tested and can be delivered with 3.1 certifiact on request.
- **PTFE with 25% carbon fiber** used for the seats and washer. This material is suitable for higher pressure and temperature, and is also more durable than conventional PTFE.
- **Stainless steel butt weld ends according to ISO 1127 as standard.**
- **ISO 5211** mounting flange with recess centers the bracket and actuator, to avoid a dynamic load on the stem/seal.
- **Maintenance free stuffing box** with live load spring washer. V-rings for optimum sealing - also at various temperatures.
- **Blow Out proff stem design.** This causes better leakage rate at higher medium pressure.

DS-1213/1313-UK-03-2017-REV. C
 We reserve the right for changes.

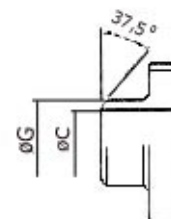
DIMENSIONS



DIMENSION		VALVE WITH HANDLE						ISO TOP FLANGE				STEM				KV-VALUE	
[MM]	[INCH]	L	B2	ØC	E	H	H1	ISO 5211	ØL	ØK	MX4	B3	ØD	F	B1	B4	90°
		[MM]	[MM]	[MM]	[MM]	[MM]	[MM]		[MM]	[MM]	[MM]	[MM]	[MM]	[MM]	[MM]	[MM]	[M ³ /H]
DN10	3/8"	63.5	29.5	13	130	65.0	50.5	F03	36	25	M5	2	9.5	6.5	19.5	68.3	6.9
DN15	1/2"	65.5	29.5	15	130	65.0	50.5	F03	36	25	M5	2	9.5	6.5	19.5	8.3	10.3
DN20	3/4"	76.2	33.0	20	130	68.0	53.7	F03	36	25	M5	2	9.5	6.5	19.5	8.6	27.5
DN25	1"	86.0	40.0	25	165	71.0	66.3	F04	42	30	M5	2	11.0	8.0	20.9	13.7	48.2
DN32	1 1/4"	102.8	41.0	32	165	78.0	65.9	F04	42	30	M5	2	11.0	8.0	25.3	13.8	70.5
DN40	1 1/2"	119.0	47.5	38	190	86.0	80.7	F05	50	35	M6	2	14.0	9.7	31.5	14.6	103.2
DN50	2"	131.4	55.0	50	190	95.0	88.0	F05	50	35	M6	2	14.0	9.7	31.5	14.6	207.0
DN65	2 1/2"	164.0	75.0	65	250	130.0	119.3	F07	70	55	M10	2	19.0	12.0	44.2	26.7	275.0
DN80	3"	182.5	85.0	80	250	148.0	125.8	F10	102	70	M10	2	19.0	12.0	41.4	21.9	499.0
DN100	4"	235.6	108.0	100	280	185.0	161.8	F10	102	70	M10	2	24.0	15.0	51.0	33.0	877.0

VALVE DATA

DIMENSION		*) TORQUE	WEIGHT	BUTT WELD ENDS	
[MM]	[INCH]			TYPE 1213	TYPE 1313
				ØG / ØC	ØG / ØC
DN10	3/8"	9,6	0.40	17.5 / 12.7	17.2 / 12.7
DN15	1/2"	9.6	0.60	21.3 / 15	21.3 / 18.5
DN20	3/4"	10.8	0.80	27.5 / 20.5	26.9 / 24.3
DN25	1"	20.4	1.10	34 / 25.7	33.7 / 30
DN32	1 1/4"	21.6	1.70	42.7 / 34.4	42.4 / 38.7
DN40	1 1/2"	36.0	2.60	48.6 / 40.3	48.3 / 44.6
DN50	2"	46.8	3.20	60.5 / 51.3	60.3 / 56.5
DN65	2 1/2"	73.2	7.40	76.3 / 67.1	76.1 / 72.3
DN80	3"	102.0	11.20	88.9 / 80	88.9 / 82.5
DN100	4"	156.0	20.30	116 / 103.1	114.3 / 107.1



1) Torque figures includes 30% safety factor.

When dimensioning the actuator following must be added:
 +15% if dry air and demineralized water.
 +30% if sludge and abrasive medias.
 -15% if lubricating medias.

PRESSURE/TEMPERATURE

