

# QUARTER TURN GEAR BOX

## TYPE 5595

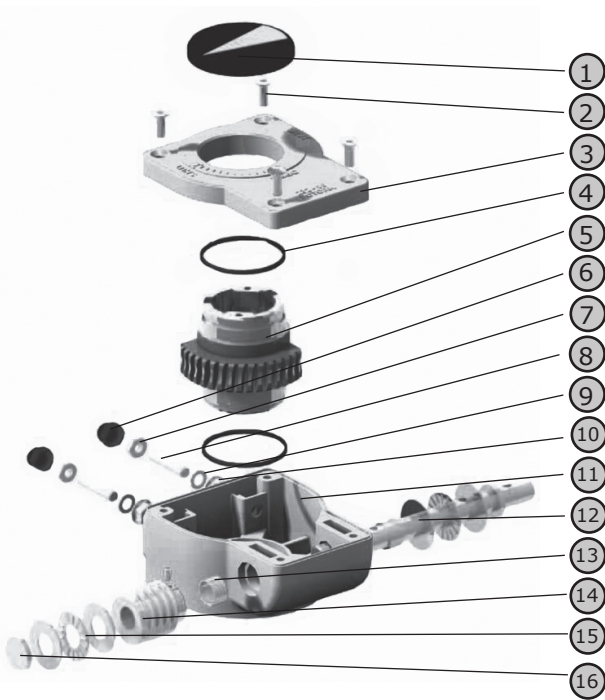


### GENERAL

MATERIAL BODY:	SIZE 10-30, DIE-CAST ALUMINIUM SIZE 40-70, GG25
SURFACE:	EPOXY COATED 160MY
MATERIAL INPUT SHAFT:	AISI 304
MATERIAL HAND WHEEL:	STEEL, COATED
MATERIAL WORM GEAR:	GGG40
INDICATOR:	STEEL, PAINTED / CAST IRON
MATERIAL TRAVEL STOP:	AISI 304
MATERIAL BOLTS:	AISI 304
OPERATION:	QUARTER TURN, 90°
TRAVEL STOP:	+/- 5°
CONNECTION:	ISO5211, DOUBLE SQUARE
OUTPUT TORQUE:	150-4.474NM
ENCLOSURE:	IP44
GASKET:	NBR

### OPTIONS ON REQUEST

MATERIAL BODY:	AISI 304, AISI 316
ENCLOSURE:	IP65-IP67
CONNECTION:	BY "KEY"
OUTPUT TORQUE:	8.000-24.000NM
SURFACE:	ISO12944 C3, C4, C5, NORSOK ETC.
ACCESSORIES:	PADLOCK, INDUCTIVE- OR MECHANICAL SWITCH



POS	DESCRIPTION	SIZE 10...30	SIZE 40...70
1	INDICATOR	STEEL, COATED	STEEL, COATED/CAST IRON
2	BOLT	AISI 304	AISI 304
3	TOP COVER	ALUMINUM, GRADE 104 GG25	
4	O-RINGTOP/BOTTOM	NBR	NBR
5	QUADRANT	GGG40	GGG40
6	NUT CAP	POLYPROPYLENE	POLYPROPYLENE
7	COUNTER NUT	AISI 304	AISI 304
8	SET SCREW	AISI 304	AISI 304
9	WASHER	AISI 304	AISI 304
10	GASKET	NBR	NBR
11	GEAR CASE	ALUMINUM, GRADE 104 GG25	
12	INPUT SHAFT	AISI 304	AISI 304
13	BEARING	PERMAGLIDE	NEEDLE BEARING, TYPE AXK
14	WORM GEAR	CARBON STEEL	TEMPERED STEEL, AISI1045
15	WASHER/SPACERS	STEEL	STEEL
16	SEALING PLUG	POLYPROPYLENE	-
*	HAND WHEEL	STEEL, COATED	STEEL, COATED

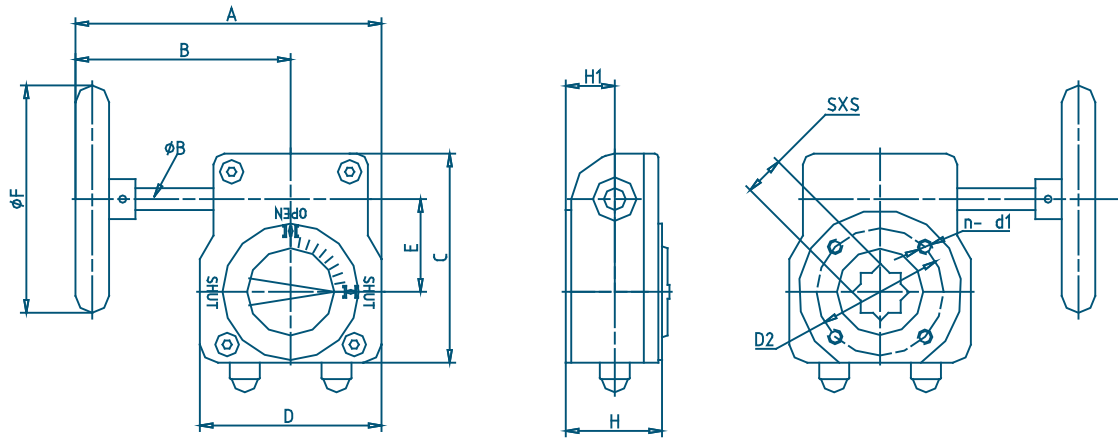
\* NOT ILLUSTRATED

### DESCRIPTION

- **High quality industrial gear box**, in aluminum or die-cast iron.
- **Perfect turning** and easy adjustment.
- **Simple worm gear structure** for improved durability and minimum service.
- **CE approved.**
- **Standard ISO 5211** mounting.
- **Star shaped drive shaft** for parallel- and 45° square stem.
- **Corrosion resistant surface** due to epoxy coating.
- **Lifetime greased.**

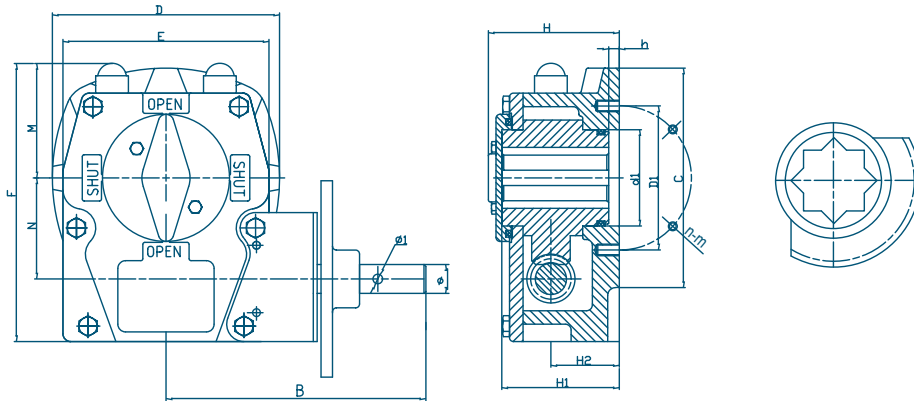
DS-5595-UK-05-2016-REV. B  
We reserve the right for changes.

**DIMENSIONS SIZE 10-15-20 AND 30**



TYPE	BUTTERFLY VALVE 2232/42	S X S	D2	n-d1	RATIO	OUTPUT TORQUE (NM)	INPUT TORQUE (NM)	A	B	ØB	C	D	E	ØF	H	H1	WEIGHT (KG)
5595-10-11	DN40-65	11 x 11	50/70	4 - M6x20	40:1	150	5	148	108	12	98	80	43	100	48	26	1.0
5595-15-11	DN80	11 x 11												120			1.2
5595-20-14	DN100-DN125	14 x 14	70	4 - M6x20	40:1	150	5	148	108	12	98	80	43	120	48	26	1.9
5595-20-17	DN150	17 x 17												200			1.9
5595-30-22	DN200-250	22 x 22	102	4 - M10x30	45:1	750	30	296	223	15	155	146	60	300	71	38	5.6
5595-30-27	DN300	27 x 27												300			5.5

**DIMENSIONS SIZE 40-50-60 AND 70**



TYPE	BUTTERFLY VALVE 2232/42	RATIO	OUTPUT TORQUE (Nm)	INPUT TORQUE (Nm)	HAND WHEEL Ø (MM)	TURNS FROM OPEN TO CLOSED	STEM HOLE SIZE	BOLT SIZE n-m	WEIGHT (KG)
5595-40-27	DN350	42:1	994	88	300	10	27 x 27	4 - M16 x 40	17.1
5595-50-27	DN400	60:1	1789	110	300	15	27 x 27	4 - M16 x 40	32.0
5595-60-36	DN450	68:1	3381	165	400	17	36 x 36	4 - M16 x 45	32.0
5595-60-46	DN500	68:1	3381	165	400	17	46 x 46	4 - M20 x 45	32.0
5595-70-46	DN600	88:1	4474	169	500	22	46 x 46	8 - M16 x 55	46.1

TYPE	MOUNTING FLANGE	D1	d1	Ø	Ø1	B	C	D	H	H1	H2	h	E	F	M	N
5595-40	F14	140	65	20	6	168	147	150	81	73	42	7.5	136	157	52	67
5595-50	F14	140	90	20	6	185	192	198	98	80	50	5.2	184	217	86	90
5595-60	F16 / F14	165	115	30	8	250	235	252	105	92	50	9.5	248	292	114	123
5595-70	F25 / F16	254	120	30	8	275	290	315	127	113	50	9.5	313	326	117	153