

MINIATURE SOLENOID VALVE, 3/2-WAY

TYPE 5231

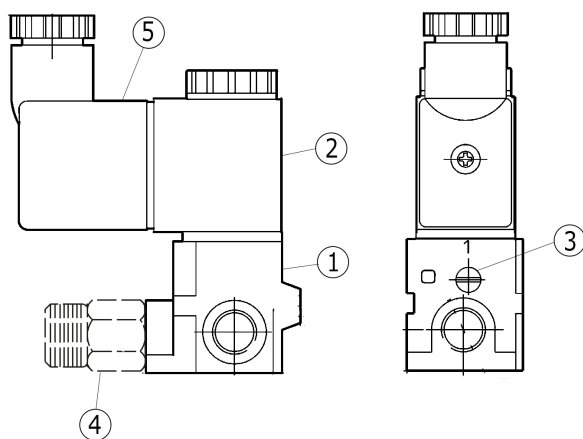


GENERAL

CONSTRUCTION:	3/2 - WAY
PRESSURE:	1,5 TO 8 BAR
COIL:	24V DC (2,8W)
AMBIENT TEMPERATURE:	-10°C TO 60°C
AIR CONNECTION:	1/8" BSPP
MEDIUM:	< 40µ FILTERED AND DRIED AIR
WIRE CONNECTION:	DIN 43650 / ISO 4400
PROTECTION CLASS - COIL:	IP65

OPTION

COIL:	230V AC (4VA)
-------	---------------



POS	DESCRIPTION	MATERIALS
1	BODY	ALUMINUM
2	COIL	NYLON
3	MANUAL OVERRIDE	STAINLESS STEEL AISI 304
4	ROTATING	BRASS
5	PLUG	NYLON

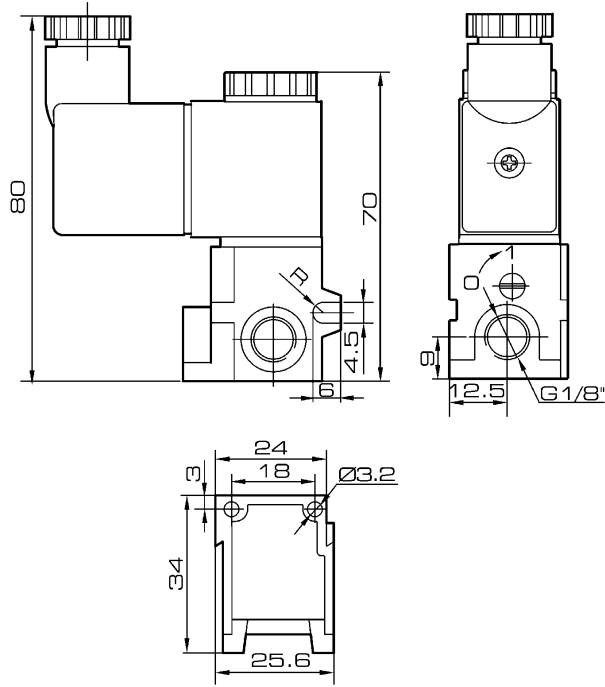
DESCRIPTION

- **Robust industrial 3/2-way miniature solenoid valve.**
- **Long and maintenance free** service life.
- **Body in aluminum.**
- **CE approved.**
- **100% quality control.** Each solenoid valve is function tested and pressure tested.
- **Manuel operation** for use in testing or when lack of supply voltage.
- **The spring affected piston** ensures that the solenoid valve returns to its starting point at power failure.

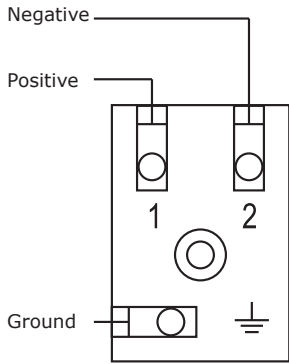
RECOMMENDED USE

- **DVC TYPE 3500** Y-angle globe valve SR-Actuator. (G 1/8").
- **Smaller** spring return actuators, pneumatic cylinder, pneumatic pinch valve with 1/8" BSPP connection.

DIMENSIONS



WIRING DIAGRAM



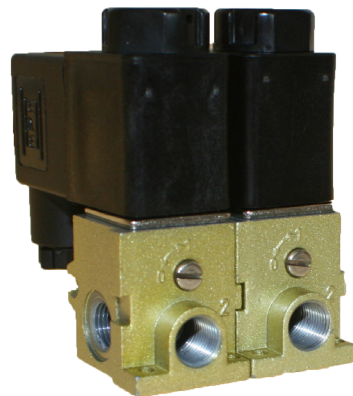
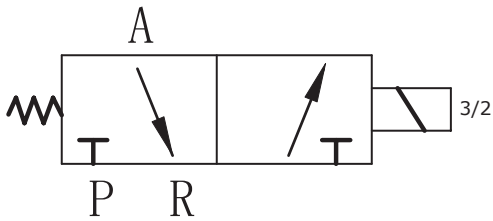
NOTE:

The wiring diagram is the same for VDC as well as VAC.

AIR PRESSURE / AIR FLOW

BAR	L/MIN.
1.5	42.7
2.0	51.2
2.5	59.7
3.0	68.5
3.5	76.9
4.0	85.4
4.5	93.9
5.0	102.4
5.5	111.2
6.0	119.6
6.5	128.1
7.0	136.6
7.5	145.1
8.0	153.7

SYMBOL



The design allows a space-saving row arrangement of the valves without the need for additional connection plate. One air connection for up to 5 in a row.