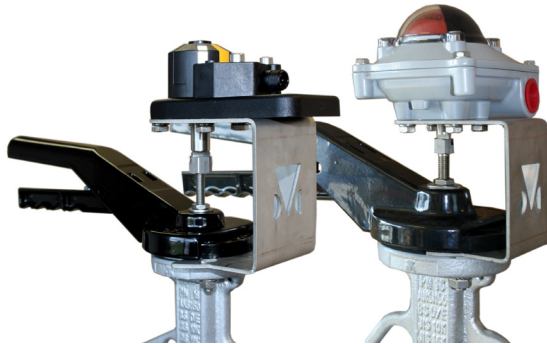


BRACKET FOR MECHANICAL OR INDUCTIVE SWITCH TYPE 5720 FOR MOUNTING ON 223X/224X BUTTERFLY VALVE



GENERAL

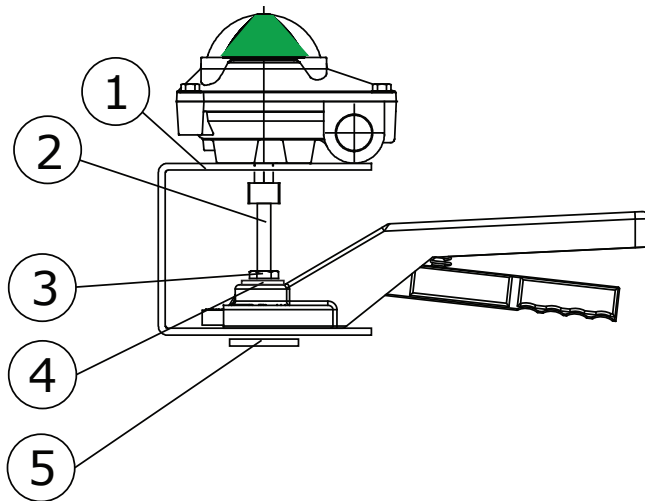
BOTTOM FLANGE ISO: F05 DN40-80
F07 DN100-150

VDI ADAPTOR: M6 OR M8

MATERIAL: STAINLESS STEEL AISI 304

OPTION

MATERIAL: STAINLESS STEEL AISI 316

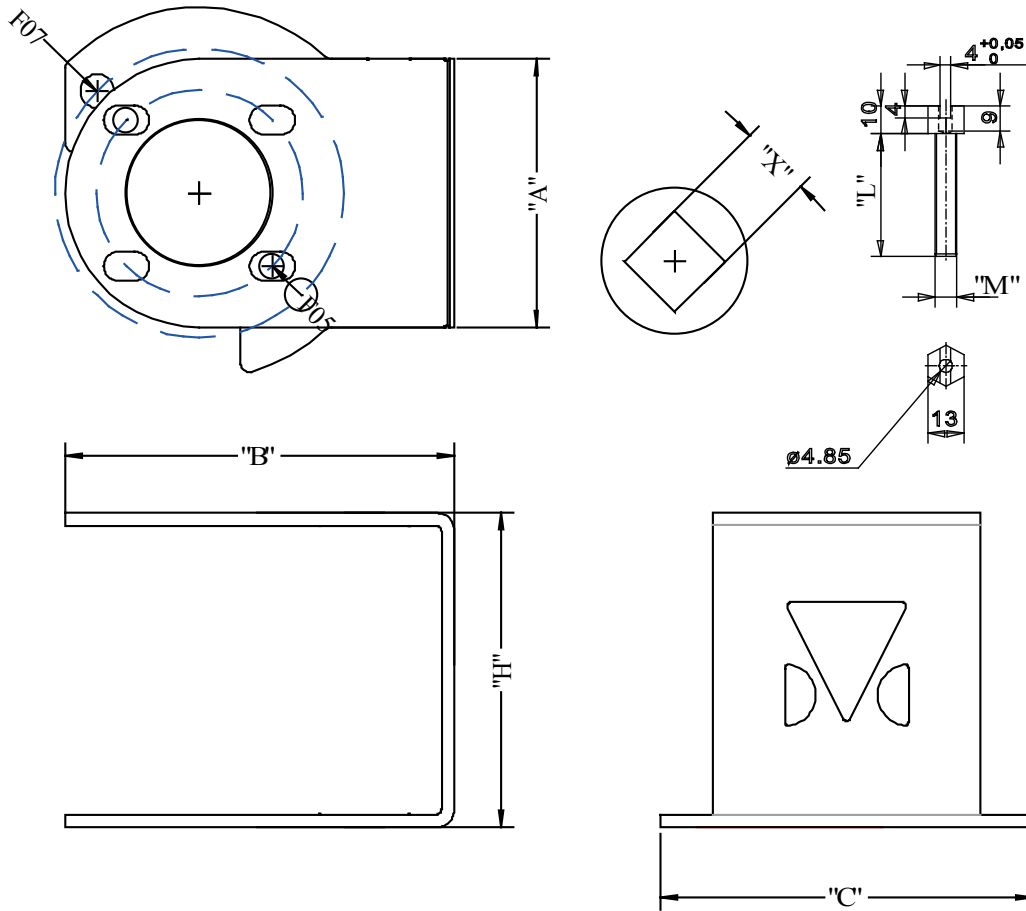


POS	DESCRIPTION	MATERIALS
1	BRACKET	STAINLESS STEEL AISI 304
2	VDI ADAPTOR	STAINLESS STEEL AISI 304
3	LOCKING NUT	STAINLESS STEEL AISI 304
4	WASHER	STAINLESS STEEL AISI 304
5	SPACER	STAINLESS STEEL AISI 304

DESCRIPTION

- **Quality Bracket** - for mechanical switchbox or inductive sensor. Suitable for DVC Type 5310 and 5313 switchbox, and DVC Type 5300 sensor.
- **Robust construction** - 3 mm AISI 304.
- **Easy mounting** - only requires M6/M8 thread in butterfly valve stem.
- **Corrosion resistance** - made from corrosion resistant stainless steel.

DIMENSIONS



DIMENSION 223X/224X		MOUNTING KIT INDUCTIVE	MOUNTING KIT MECHANIC	BRACKET		ISO CONNECTIONS						VDI ADAPTOR	
BORE	ITEM NO.	ITEM NO.	H [MM]	B [MM]	ØF [MM]/F	ØX [MM]	ØD2 [MM]	A [MM]	B [MM]	C [MM]	M1	L [MM]	
DN40	1 1/2"	5720220080	5720130080	76	93	50/F05	11	50	65	14	90	M6	50
DN50	2"	5720220080	5720130080	76	93	50/F05	11	50	65	14	90	M6	50
DN65	2 1/2"	5720220080	5720130080	76	93	50/F05	11	50	65	14	90	M6	50
DN80	3"	5720220080	5720130080	76	93	50/F05	11	50	65	14	90	M6	50
DN100	4"	5720220150	5720130150	76	93	50/F07	14	50	65	14	90	M8	50
DN125	5"	5720220150	5720130150	76	93	70/F07	14	50	65	14	90	M8	50
DN150	6"	5720220150	5720130150	76	93	70/F07	17	50	65	14	90	M8	50

Adjustment of the adaptor length "L" may be required.