

# LOCKING PLATE FOR POSITIONING LEVERS FOR BUTTERFLY VALVES TYPE 223X/224X



## TYPE 2953-1



### GENERAL

DIMENSIONS:

DN40 - DN80

DN100 - DN150

DN200

MATERIAL:

AISI 304

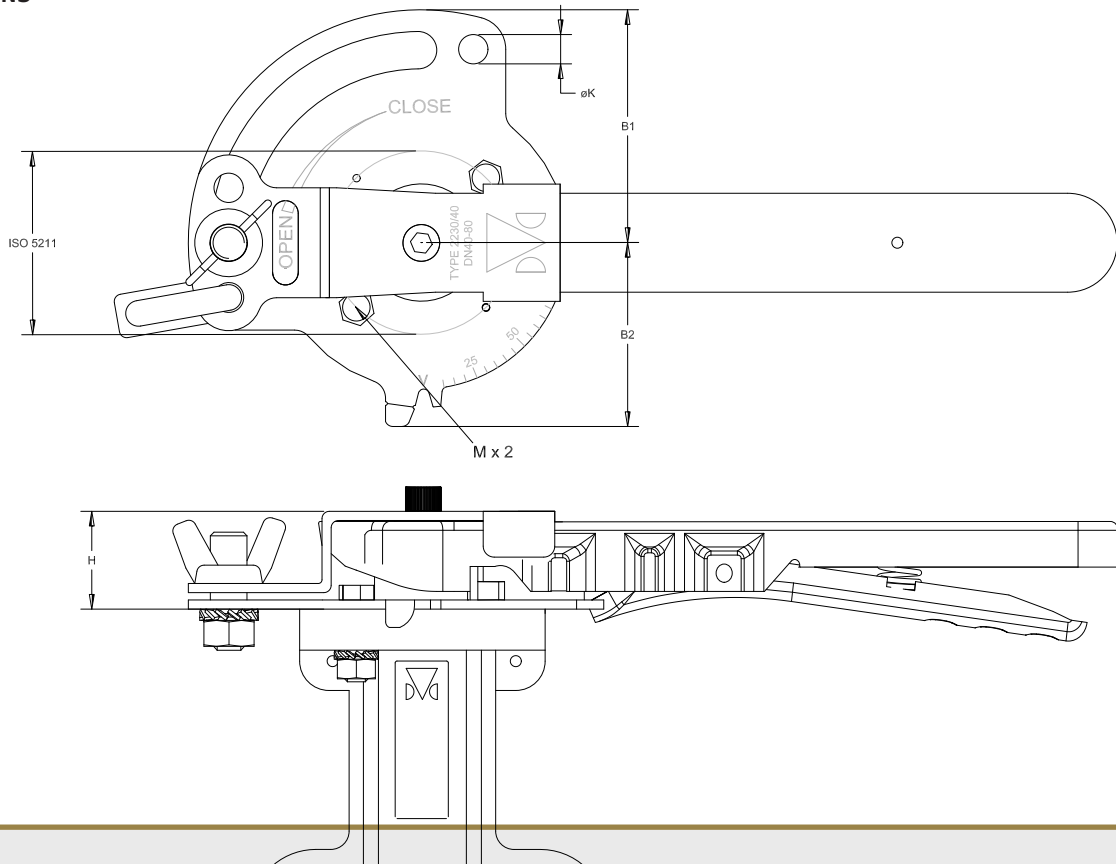
### OPTIONS

LEVER:

STEEL

STAINLESS STEEL

### DIMENSIONS



DS-2953-1-UK-09-2016-REV. B  
We reserve the right for changes.

DIM	øK	B1	B2	M X 2	ISO 5211	H
DN40 - DN80	8	63.1	51.0	M6	F05	24.5
DN100 - DN150	8	72.5	63.0	M6 / M8	F05 / F07	30.0
DN200	8	93.3	93.8	M10 / M12	F10 / F12	31.0

