

# CLOSED STEM EXTENSION

## TYPE 5860 FOR MOUNTING ON BALL VALVE: TYPE 1210/1310/1313



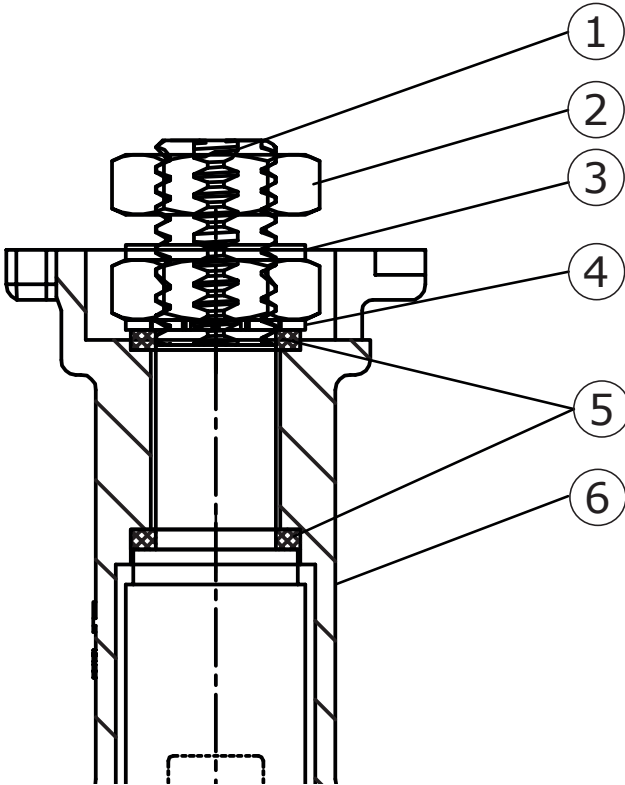
### GENERAL

ISO TOP FLANGE:

F03/F04  
F04/F05  
F05/F07  
F07/F10

MATERIAL:

STAINLESS STEEL

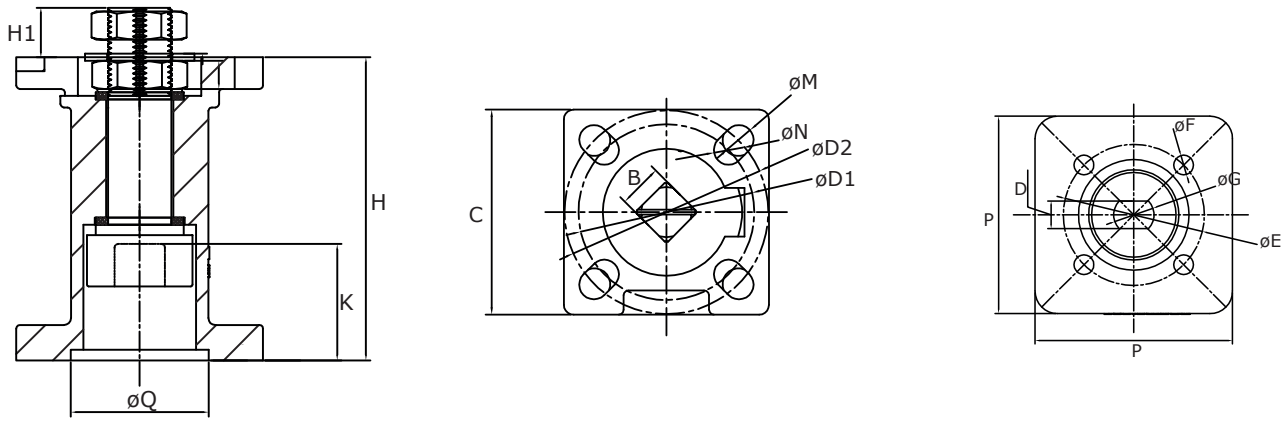


POS	DESCRIPTION	MATERIAL
1	STEM	CF8M
2	STEM NUT	AISI 304
3	WASHER	AISI 304
4	LOCKING DEVICE	AISI 304
5	GLAND PACKING	PTFE
6	BODY	CF8M

### DESCRIPTION

- **The closed stem extension** serves as a closed coupling/bracket solution for both actuator and manual operation.
- **The stem extension serves as protection** against heat or cold, as it moves the actuator/handle away from the valve.
- **Insulation becomes easy**, when installing the stem extension because of the closed construction.
- **ISO 5211 top flange.**
- **The stem extension is produced in stainless steel (CF8M)** which means great durability in most industrial applications.
- **The stem extension is available with lockable handle on request.** The handle can be locked in open and closed positions. There is also a built-in stop pin at 0 and 90°.

VALVE DATA FOR BALL VALVE TYPE 1210, 1310 AND 1313



DIMENSION				HEIGHT	ISO TOP FLANGE					MOUNTING FLANGE BOTTOM					STEM				
REDUCED BORE	FULL BORE	DN	B	H [MM]	ISO 5211	øD1/øD2 [MM]	C [mm]	øM [mm]	øN [mm]	ISO 5211	øE [mm]	P [mm]	øQ [mm]	F [mm]	TOP [MM]		BOTTOM [MM]		
															H1	B	D	G	K
DN15	1/2"	DN10	3/8"	62.7	F03/F04	36/42	42	6	6	F03	36	42	25.2	6.5	11.0	9	6.5	9.5	12.0
DN20	3/4"	DN15	1/2"	62.7	F03/F04	36/42	42	6	6	F03	36	42	25.2	6.5	11.0	9	6.5	9.5	21.0
DN25	1"	DN20	3/4"	62.7	F03/F04	36/42	42	6	6	F03	36	42	25.2	6.5	11.0	9	6.5	9.5	21.0
DN32	1 1/4"	DN25	1"	67.0	F04/F05	42/50	50	7	6	F04	42	50	30.2	6.5	11.0	11	8.0	11.2	27.0
DN40	1 1/2"	DN32	1 1/4"	67.0	F04/F05	42/50	50	7	6	F04	42	50	30.2	6.5	11.0	11	8.0	11.2	27.0
DN50	2"	DN40	1 1/2"	86.0	F05/F07	50/70	70	9	7	F05	50	70	39.2	7.5	14.0	14	9.7	14.3	33.0
DN65	2 1/2"	DN50	2"	86.0	F05/F07	50/70	70	9	7	F05	50	70	39.2	7.5	14.0	14	9.7	14.3	33.0