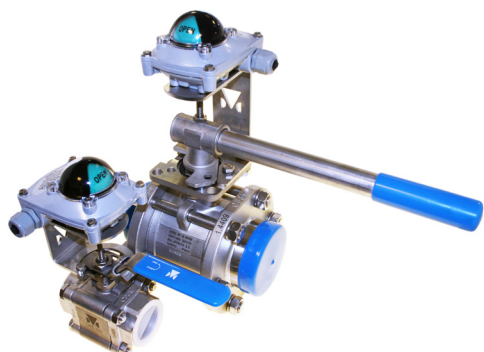


BRACKET FOR MECHANICAL SWITCHBOX

TYPE 5710 FOR MOUNTING ON BALL VALVE 1111/1211/1311



GENERAL

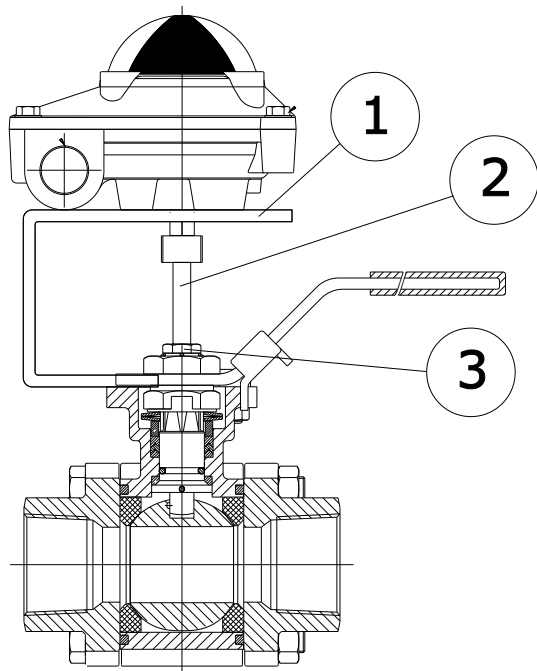
ISO FLANGE: F04 DN10FB - 25RB
 F05 DN25FB - 40RB
 F07 DN40FB - 65RB
 F10 DN65FB - 100FB

VDI ADAPTOR: M6 AND M8

MATERIAL: STAINLESS STEEL AISI 304

OPTION

MATERIAL: STAINLESS STEEL AISI 316



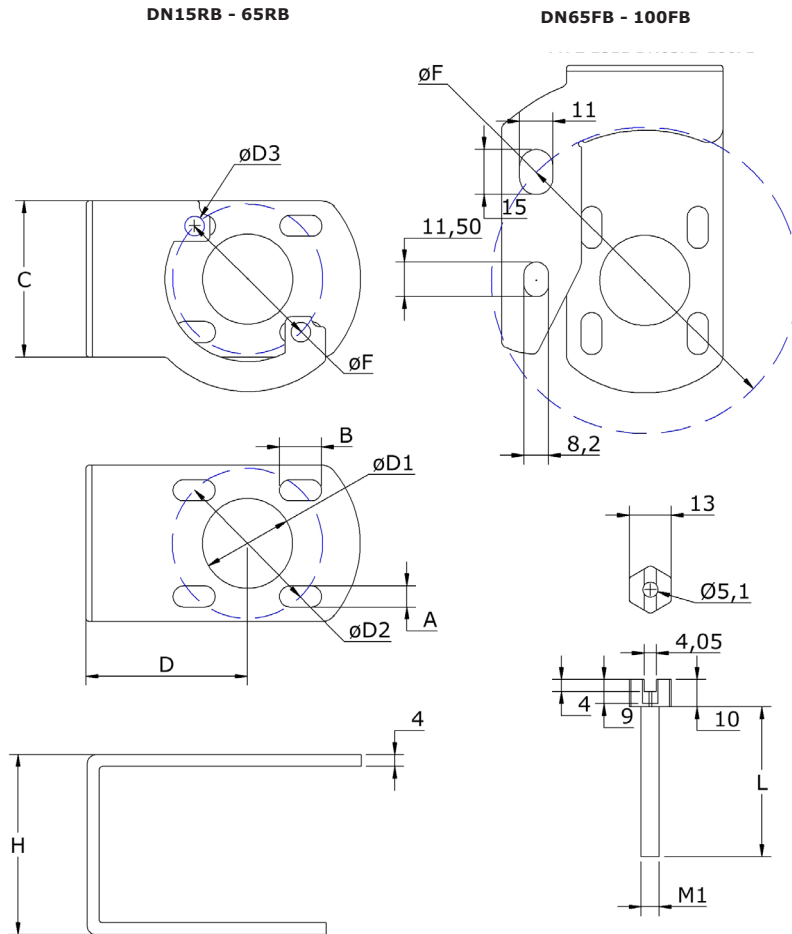
POS	DESCRIPTION	MATERIALS
1	BRACKET	STAINLESS STEEL AISI 304
2	VDI ADAPTOR	STAINLESS STEEL AISI 304
3	LOCKING NUT	STAINLESS STEEL AISI 304

DESCRIPTION

- **Quality bracket** - for mechanical switchbox. Suitable for DVC Type 5310 and 5313 switchbox.
- **Heavy duty construction** - 4mm AISI 304.
- **Corrosion resistance** - made from corrosion resistant stainless steel.
- **Easy mounting** - only requires M6 thread in ball valve stem.
- **Perfect 90° turn** - due to design the handle will automatically stop at exactly 0° and 90°. No modification of handle needed. Handle lock can still be used.

DS-5710-33-UK-06-2016-REV. B
 We reserve the right for changes.

DIMENSION



DIMENSION 1111/1211/1311				BRACKET		ISO CONNECTIONS							VDI ADAPTOR	
REDUCED BORE	FULL BORE			H [MM]	D [MM]	ØF [MM]/F	ØD1 [MM]	ØD2 [MM]	A [MM]	B [MM]	C [MM]	ØD3 [MM]	M1	L * [MM]
DN15	1/2"	DN10	3/8"	60	56	42/F04	30	50	7	14	52	5.5	M6	50
DN20	3/4"	DN15	1/2"	60	56	42/F04	30	50	7	14	52	5.5	M6	50
DN25	1"	DN20	3/4"	60	56	42/F04	30	50	7	14	52	5.5	M6	50
DN32	1 1/4"	DN25	1"	60	56	50/F05	30	50	7	14	52	6.5	M6	50
DN40	1 1/2"	DN32	1 1/4"	60	56	50/F05	30	50	7	14	52	6.5	M6	50
DN50	2"	DN40	1 1/2"	60	56	70/F07	30	50	7	14	52	9.0	M6	50
DN65	2 1/2"	DN50	2"	60	56	70/F07	30	50	7	14	52	9.0	M6	50
DN80	3"	DN65	2 1/2"	100	72	102/F10	30	50	7	14	52	-	M8	45
DN100	4"	DN80	3"	100	72	102/F10	30	50	7	14	52	-	M8	45
		DN100	4"	100	72	102/F10	30	50	7	14	52	-	M8	45

If mounting kits are ordered for existing valves, the customer must fit M6 thread hole to the valve stem. NOT DN65FB-100FB
 * Adjustment/molding of the adaptor length "L" may be required.