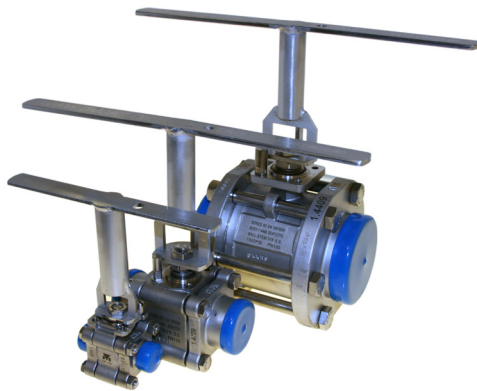


# STEM EXTENSION WITH "T" HANDLE

## TYPE 5710 FOR MOUNTING ON BALL VALVE TYPE 1210/1310



### GENERAL

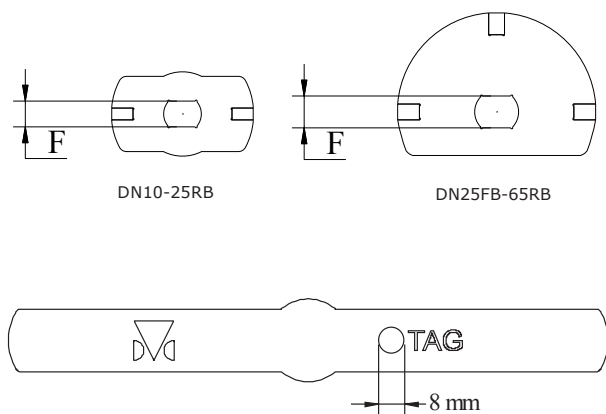
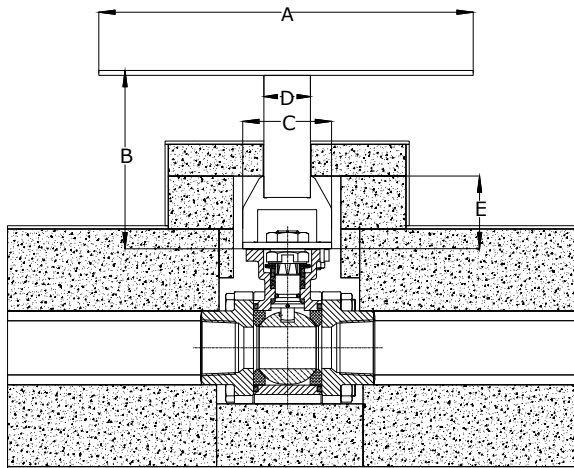
ISO FLANGE: F03/DD 6.5 MM (DN10FB - 25RB)  
 F04/DD 8.0 MM (DN25FB - 40RB)  
 F05/DD 9.7 MM (DN40FB - 65RB)

MATERIAL: AISI 304

### OPTION

MATERIAL: AISI 316  
 HEIGHT: CUSTOMIZED

### DIMENSION



DIMENSION 1210/1310				DIMENSION					
REDUCED BORE		FULL BORE		A [MM]	B [MM]	C [MM]	D [MM]	E [MM]	F [MM]
DN15	1/2"	DN10	3/8"	180	100	42	22	37	6,5
DN20	3/4"	DN15	1/2"	180	100	42	22	37	6,5
DN25	1"	DN20	3/4"	180	100	42	22	37	6,5
DN32	1 1/4"	DN25	1"	300	112	50	22	47	8,0
DN40	1 1/2"	DN32	1 1/4"	300	112	50	22	47	8,0
DN50	2"	DN40	1 1/2"	300	112	63	22	47	9,7
DN65	2 1/2"	DN50	2"	300	112	63	22	47	9,7

### DESCRIPTION

- **Stem Extension with T-handle** for 3-piece ball valve Type 1210/1310.
- **Easy installation** - requires no modification of the ball valve stem.
- **Solid construction** 3-4mm AISI 304.
- **TAG numbering** - hole drilled for TAG-plate.
- **Corrosion resistant** - made of stainless steel AISI 304.
- **Easy insulation** because of the cylindrical shape of the stem extension it is easy to isolate.

DS-5710-30-UK-06-2016-REV. B  
 We reserve the right for changes.

