

BALL VALVE WITH T-HANDLE

TYPE 1050

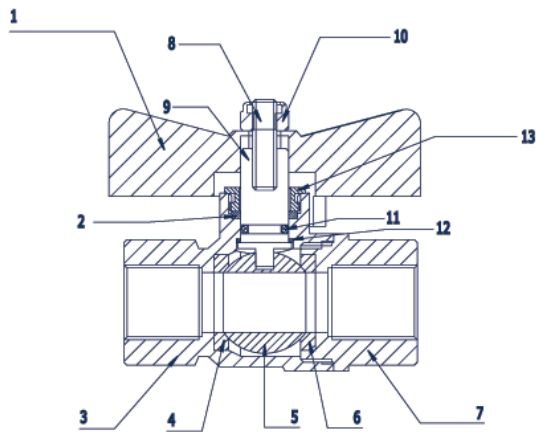


GENERAL

DIMENSION/PRESSURE:	1/4" TO 1" 40 BAR
MATERIAL:	MESSING MS58
THREAD:	BSPP
HANDLE:	T-HANDLE
CONNECTION:	FEMALE/FEMALE
WORKING TEMPERATURE:	-10° C TO 80° C

OPTION

THREAD:	NPT
---------	-----

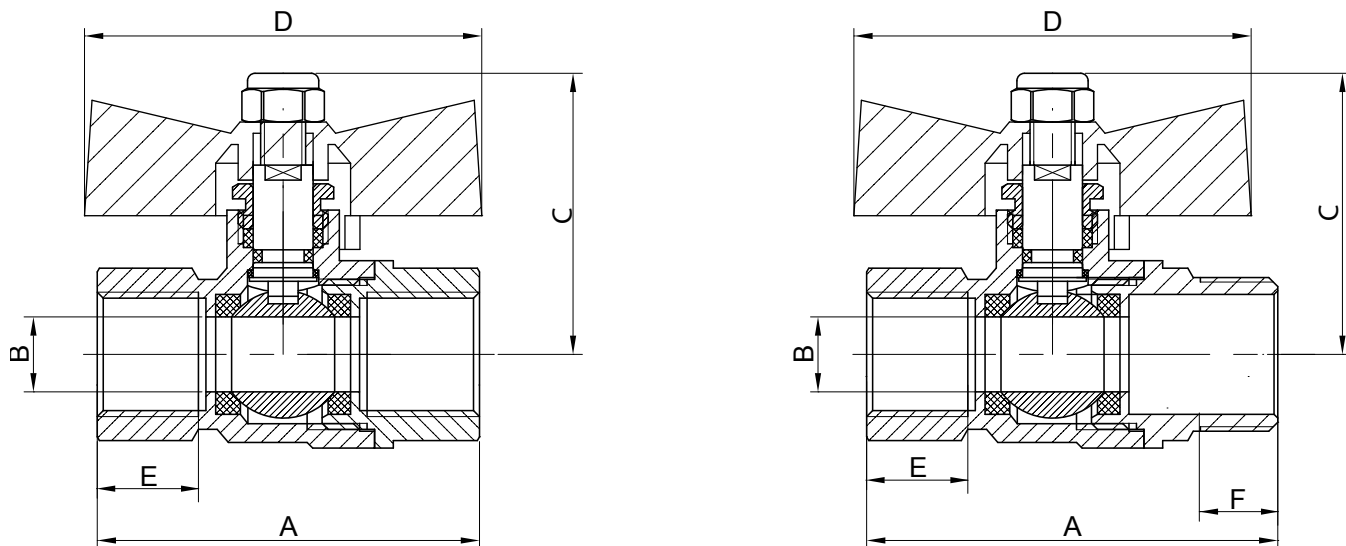


POS	DESCRIPTION	MATERIAL
1	T-HANDLE	NICKEL PLATED STEEL
2	UPPER SEALING	PTFE
3	BODY	NICKEL PLATED BRASS (MS58)
4	SEAT	PTFE
5	BALL	NICKEL PLATED BRASS (MS58)
6	SEAT	PTFE
7	BODY	NICKEL PLATED BRASS (MS58)
8	STEM	NICKEL PLATED BRASS (MS58)
9	LOCKING NUT	NICKEL PLATED STEEL
10	O-RING	FPM
11	LOWER SEALING	PTFE
12	CAP NUT	NICKEL PLATED BRASS (MS58)

DESCRIPTION

- **Nickel-plated brass ball valve** with a very fine surface structure and strong goods.
- **T-handle in die-cast aluminum** with painted surface.
- **Full bore** provides a minimum pressure drop through ball valve.
- **Heavy wallthickness execution.**
- **Complete identification** molded into the ball valve.
- **The stem is non blowout design.** This secures that the stem sealing increases the higher internal pressure.
- **Pressure stage PN40**

DIMENSIONS



DIMENSIONER		VALVE WITH T-HANDLE										
[MM]	[INCH]	A [MM]		B [MM]		C [MM]		D [MM]		E [MM]		F [MM]
		FEM./FEM.	FEM./MAL.	FEM./FEM.	FEM./MAL.	FEM./FEM.	FEM./MAL.	FEM./FEM.	FEM./MAL.	FEM./FEM.	FEM./MAL.	FEM./MAL.
DN08	1/4"	49,0	52,0	10,0	10,0	38,0	38,0	53,3	53,3	11,8	11,8	10,0
DN10	3/8"	51,0	54,0	10,0	10,0	38,0	38,0	53,7	53,7	13,3	13,3	10,0
DN15	1/2"	55,0	60,0	15,0	15,0	43,0	43,0	54,4	54,4	15,4	15,4	12,4
DN20	3/4"	60,3	69,0	19,0	19,0	48,0	48,0	53,7	53,7	13,0	13,0	14,0
DN25	1"	72,3	77,6	24,3	24,3	54,0	54,0	59,9	59,9	18,0	18,0	15,8

VALVE DATA

DIM. [INCH]	Kv-VALUE 90° [M³/H]	WEIGHT [KG]	QTY. PER BOX	
			SMALL BOX	BIG BOX
1,4"	6	0,13	10	100
3/8"	7	0,14	10	100
1/2"	10	0,20	10	100
3/4"	27	0,30	10	60
1"	48	0,48	8	48

PRESSURE/TEMPERATURE

