

FLOAT AND THERMOSTATIC STEAM TRAP

TYPE 8021 - FLT21



armatec

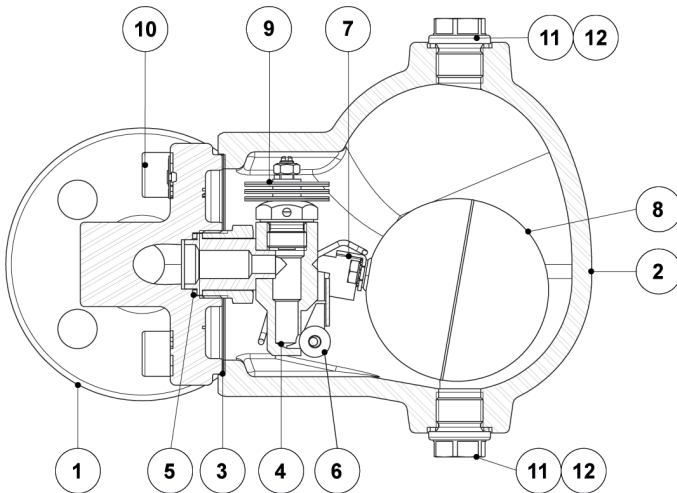


GENERAL

DIMENSION:	DN15 - DN25
PRESSURE:	4,5 BAR, 10 BAR AND 14 BAR
FLANGES:	EN 1092-2 PN16

OPTIONS

DIMENSION:	DN40 - DN50 (FLT27)
CONNECTION:	BSPP, NPT OR ASME B16.42 CLASS 150
MATERIAL:	STAINLESS STEEL (FTL40, FLT41, FLT45) STEEL (FTL40, FLT41, FLT45)
LARGER FLOW CAPACITY:	FLT25, FLT27, FLT29
VERSION:	AVAILABLE WITH ANGLED VARIANT TO SUIT SYSTEM DESIGN.

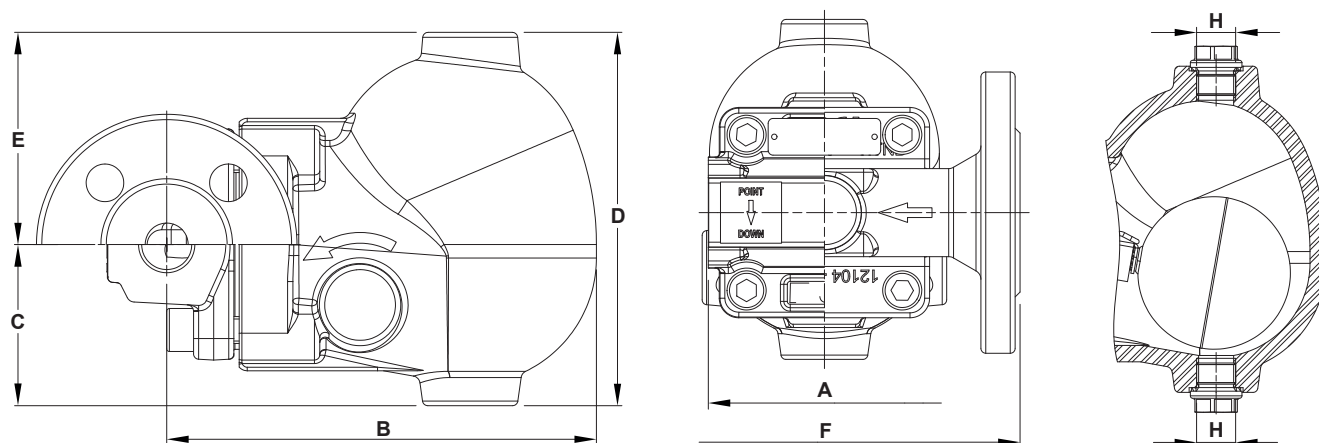


POS	DESCRIPTION	MATERIALS
1	BODY	DUCTILE IRON GJS-400
2	COVER	DUCTILE IRON GJS-400
3	GASKET	GRAPHITE
4	SEAT	STAINLESS STEEL AISI 410
5	GASKET	COPPER
6	VALVE	STAINLESS STEEL AISI 316
7	LEVER	STAINLESS STEEL AISI 304
8	FLOAT	STAINLESS STEEL AISI 304
9	AIR VENT	STAINLESS STEEL (BIMETALLIC)
10	BOLTS	ZINC PLATED STEEL
11	PLUG	STAINLESS STEEL AISI 316L
12	GASKET	COPPER / AISI 304

DESCRIPTION

- **Float and thermostatic design** with integrated bimetallic air vent.
- **Modulating condensate discharge** ensuring optimal heat transfer.
- **Can be mounted both inline** (horizontal/vertical) and in an angled configuration.
- **Unaffected by sudden or wide load and pressure changes.**
- **Ideal for applications** such as units, heat exchangers, dryers and other industrial processes.

DIMENSION



DIMENSIONS [MM]								
	A	B	C	D	E	H	F	WEIGHT [KG]
DN15	95	160	60	139	79	3/8"	150	6,2
DN20	95	160	60	139	79	3/8"	150	6,7
DN25	95	160	60	139	79	3/8"	160	7,4
DN40*	210	250	80	215	136	3/8"	230	21,9
DN50*	210	250	80	215	136	3/8"	230	23,8

* FLT27

FLOW RATE [KG/H]

TYPE	ΔP [BAR]	0.5	1.0	1.5	2.0	4.5	7.0	10.0	12.0	14.0
DN 15-25	4.5	305	395	455	500	680	-	-	-	-
	10.0	235	330	400	440	630	694	705	-	-
	14.0	220	277	318	365	481	556	654	691	710
DN 40-50*	4.5	2400	3400	3900	4500	7300	-	-	-	-
	10.0	1500	2000	2600	3000	4000	5400	6200	-	-
	14.0	950	1300	1600	1800	2600	3250	3900	4210	4950

* FLT27