

# BRACKET FOR MECHANICAL OR INDUCTIVE SWITCH TYPE 5715

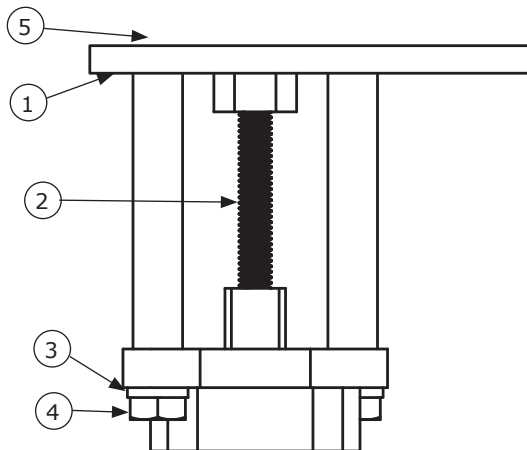


## GENERAL

FLANGE ISO: F04/F05/F07/F10  
VDI/VDE ADAPTOR: M6 OR M8  
MATERIAL: STAINLESS STEEL AISI 304

## OPTION

MATERIAL: STAINLESS STEEL AISI 316

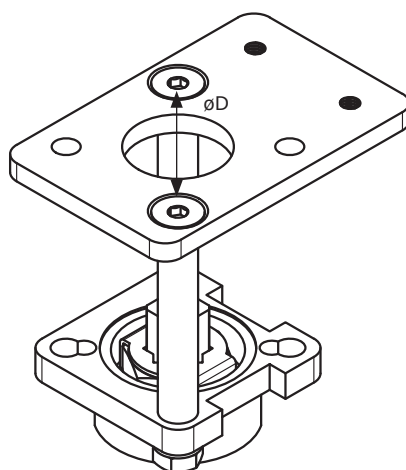
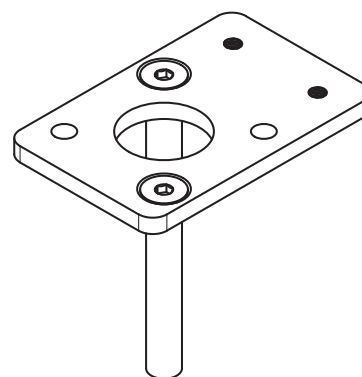
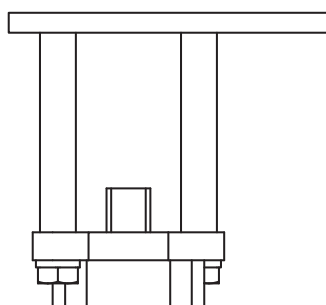
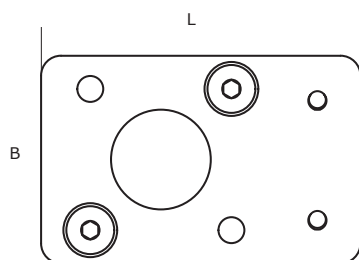


POS	DESCRIPTION	MATERIALS
1	BRACKET	STAINLESS STEEL AISI 304
2	VDI/ADI ADAPTOR	STAINLESS STEEL AISI 304
3	WASHER	STAINLESS STEEL AISI 304
4	LOCKING NUT	STAINLESS STEEL AISI 304
5	SCREW	STAINLESS STEEL AISI 304

## DESCRIPTION

- **Quality Bracket** - for mechanical switchbox or inductive sensor. Suitable for various ball valves and butterfly valves.
- **Robust construction** - 5 mm AISI 304.
- **Mounting** of the bracket can only be done at Armatec's warehouse.
- **Corrosion resistance** - made from corrosion resistant stainless steel.

## DIMENSIONS



BRACKET				ISO CONNECTION			VDI/VDE ADAPTOR
STØRRELSE	H [MM]	B [MM]	L [MM]	$\varnothing D$ [MM]	A [MM]	C [MM]	[MM]
Bracket 1	55	50	75	F04	40	30	M6
Bracket 2	55	52	80	F05	40	30	M6
Bracket 3	75	70	85	F07	40	30	M8
Bracket 4	95	90	105	F10	40	30	M8