

# BELLOW SEALED GLOBE VALVE

## TYPE 3563 - PN40



armatec

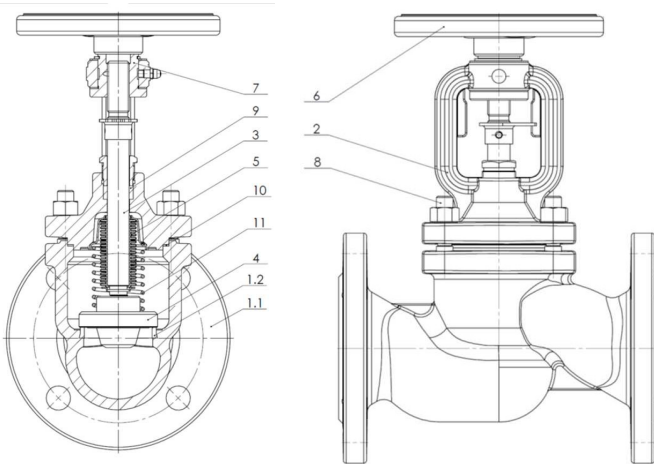


### GENERAL

DIMENSION:	DN15 TO DN125
PRESSURE:	PN40
TEMPERATURE:	-10°C TO 450°C
FLANGES:	EN1092-1
MATERIAL:	STEEL
FACE TO FACE:	EN558-1

### OPTIONS

DIMENSION:	DN150 TO DN200
DISC:	FOR FLOW CONTROL



POS	DESCRIPTION	MATERIAL
1	BODY	STEEL GP240GH
1.2	SEAT	STAINLESS STEEL 1.4021
2	BONNET	STEEL GP240GH
3	STEM	STAINLESS STEEL 1.4021
4	DISC	STAINLESS STEEL 1.4021
5	BELLOW	STAINLESS STEEL 1.4571
6	HANDWHEEL	CAST IRON
7	SLEEVE	STEEL 11SMnPb30
8	STUD BOLT, NUT	STEEL 24CrMo4
9	GLAND PACKING	GRAPHITE
10	BONNET GASKET	GRAPHITE+CrNiSt

### DESCRIPTION

- High quality globe valve.
- High tightness (leakproofness class A acc. to EN12266-1).
- Compact and tested design.

### SUITABLE FOR



INDUSTRY



MARINE



HEATING SYSTEM

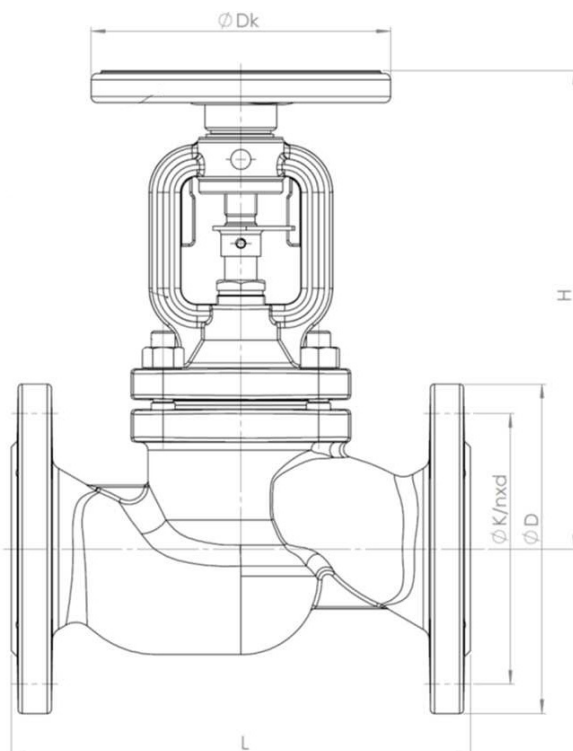


STEAM



COOLING SYSTEM

## DIMENSIONS



DIM	VALVE [MM]			FLANGE [MM]			Kvs [M <sup>3</sup> /H]	WEIGHT [KG]
	L	Dk	H	D	K	nxd		
DN15	130	125	190	95	65	4x14	6.0	4.3
DN20	150	125	190	105	75	4x14	8.7	5.1
DN25	160	125	190	115	85	4x14	15.5	6.0
DN32	180	125	195	140	100	4x18	25.3	7.6
DN40	200	200	240	150	110	4x18	28.8	11.5
DN50	230	200	240	165	125	4x18	46.5	13.7
DN65	290	250	270	185	145	8x18	76.4	20.1
DN80	310	250	300	200	160	8x18	113.2	27.5
DN100	350	300	450	235	190	8x22	180.2	44.0
DN125	400	300	520	270	220	8x26	238.7	65.5
DN150	480	400	570	300	250	8x26	358.2	110.0
DN200	600	400	627	375	320	12x30	552.0	172.5

## PRESSURE / TEMPERATURE

