

# BUTTERFLY VALVE TYPE WAFER

## TYPE 2294 - STAINLESS STEEL

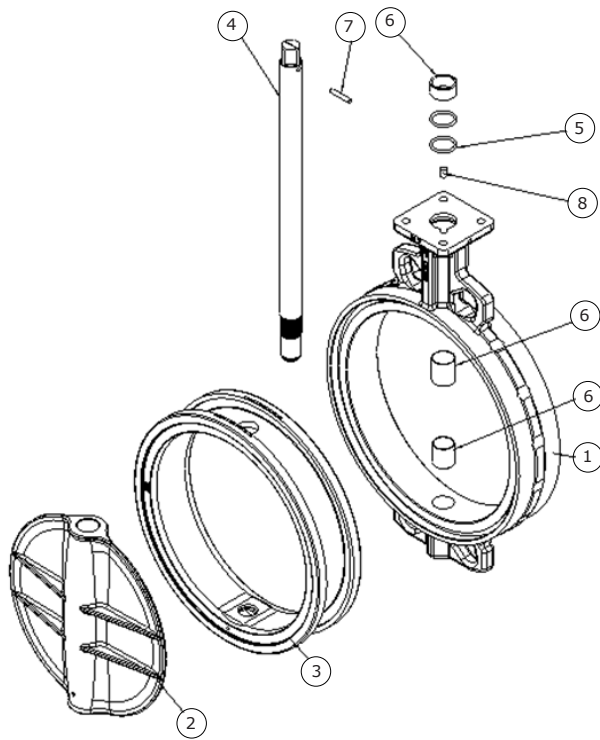


### GENEREL

DIMENSION:	DN50 - DN300
PRESSURE RATING:	PN10
TEMPERATURE:	-20°C TO 140°C
MATERIAL LINER:	ERIKS EPDM FOOD - BLACK (EU1935/FDA)
FACE TO FACE:	EN558-1 SERIES 20
OPERATION:	FREE STEM
COUNTER FLANGES:	PN10
TOP FLANGE:	ISO 5211

### OPTIONS

DIMENSIONS:	DN350 - DN600
LINER:	ERIKS EPDM FOOD - WHITE (EU1935/FDA)
OPERATION:	HANDLE, GEAR, ACTUATOR (PNEUMATIC/ELECTRIC)
TYPE:	LUG (DN50 - DN300)

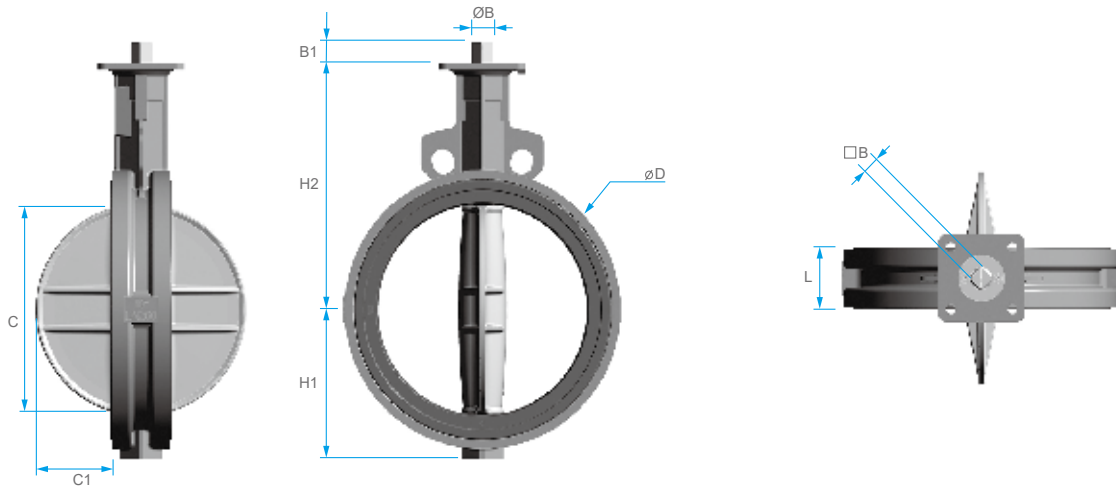


POS	DESCRIPTION	MATERIALS
1	BODY	STAINLESS STEEL CF8M
2	DISC	STAINLESS STEEL CF8M
3	LINER	RUBBER ERIKS EPDM FOOD
4	STEM	STAINLESS STEEL AISI 316
5	O-RING	RUBBER NBR
6	BUSHING	DELTRIN
7	PIN	STAINLESS STEEL AISI 304
8	PLUG	RUBBER NBR

### DESCRIPTION

- **EC1935/2004 food approved butterfly valve** in stainless steel.
- **ISO 5211 top flange** and 45° square stem enables direct mounting of actuator without the use of bracket and coupling.
- **Peroxide hardened rubber liner** as opposed to the commonly used sulphur hardened rubber, provides a soft liner even at low temperatures. Therefore the valve is ideal for waterworks, as opposed to other valve types which tend to get stuck.
- **Replaceable liner.**
- **Extended neck for easy isolation.**
- **Self-centering solution** DIN PN10.
- **Optional** with actuator, gear or handle.

## DIMENSIONS



DIM	BUTTERFLY VALVE									
[MM]	L [MM]	H1 [MM]	H2 [MM]	ØD [MM]	C [MM]	C1 [MM]	ØB [MM]	B1 [MM]	□B [MM]	ISO
DN50	43	65	143	96	39	8	14	19	11	F07
DN65	46	71	155	110	55	13	14	19	11	F07
DN80	46	77	162	126	69	19	14	19	11	F07
DN100	52	91	182	153	91	27	14	19	11	F07
DN125	56	103	197	180	115	36	18	19	14	F07
DN150	56	120	210	206	140	47	18	19	14	F07
DN200	60	144	240	259	186	68	22	24	17	F10
DN250	68	174	288	325	239	90	25	24	19	F10
DN300	78	206	311	373	289	111	28	24	22	F10

## VALVE DATA

DIM	KV VALUES [M <sup>3</sup> /H]										MAX. TORQUE* [NM]	WEIGHT FREE STEM [KG]
[MM]	10°	20°	30°	40°	50°	60°	70°	80°	90° (KVS)			
DN50	1.12	3.81	10.29	22.23	38.49	60.72	101.21	133.56	195.31	19.0	4.0	
DN65	1.99	7.61	18.42	35.47	61.76	96.19	189.26	242.89	318.84	22.0	5.0	
DN80	2.51	9.95	26.30	48.61	83.99	127.50	216.60	342.11	430.16	34.0	5.0	
DN100	3.81	14.79	39.44	72.83	120.41	223.69	365.38	613.29	731.70	45.0	6.0	
DN125	6.57	24.31	62.71	119.46	219.62	398.85	606.19	1050.54	1257.97	76.0	8.0	
DN150	10.12	41.52	96.19	177.15	329.91	548.50	883.51	1275.18	1881.38	126.0	9.0	
DN200	19.20	64.79	167.03	309.67	579.90	1007.03	1585.89	2337.84	3161.66	211.0	15.0	
DN250	28.37	102.24	248.00	456.46	846.06	1479.58	2280.14	3295.22	4814.33	340.0	23.0	
DN300	34.43	130.53	315.73	622.45	1150.71	2150.65	3287.17	5051.17	7143.08	470.0	36.0	

\*) Torque include 30% safety factor. (TEST: 3bar diff. pressure, ambient temperature, non-lubricating)



### Temperature/Pressure:

Butterfly valves from Dansk Ventil Center A/S are delivered with different pressure levels and with different liner types. Always check the name plate to ensure correct operation. Pressure systems with flanges according to EN1092-1 has some limitations. Be careful not to exceed the allowable pressure/temperature limits, as this may cause damage to personal or equipment.

### Rubber seat (EPDM):

Rubber will over time lose flexibility and compression set. The higher the temperature rubber is installed in, the shorter the expected lifespan is.

Our values for temperature is given to the best of our knowledge, and we advise that valves are tested for lifespan if installation is running near the given temperature limit. If in doubt, please consult us.