

# ELECTRO-PNEUMATIC POSITIONER - TZID-C

## TYPE 5400



armatec



### GENERAL

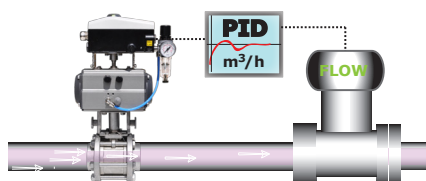
INPUT SIGNAL:	4 - 20 mA, TWO-WIRE TECHNOLOGY
STROKE RANGE:	10 - 90 MM RESP. 25°-120°
SUPPLY AIR:	ATMOSPHERIC
AIR PRESSURE:	1.4 - 6 BAR (20-90 PSI)
CONTROL ACCURACY:	≤0.5%
AMBIENT TEMPERATURE:	-40°C TO +85°C
HOUSING:	ALUMINUM COATED, IP65
VIBRATION IMMUNITY:	10 G AT 20-80HZ

### OPTIONS

EX PROTECTION:	EEx ib II C T6
PLUG-IN MODULES FOR:	ANALOG POSITION FEEDBACK DIGITAL POSITION FEEDBACK (FOR MIN./MAX. POSITION)
KIT FOR SWITCH BOX:	INDUCTIVE SENSOR (NC OR NO) MECHANICAL MICRO SWITCH 24V AC/DC
ACCESSORIES:	PRESSURE GAUGE BLOCK FILTER REGULATOR

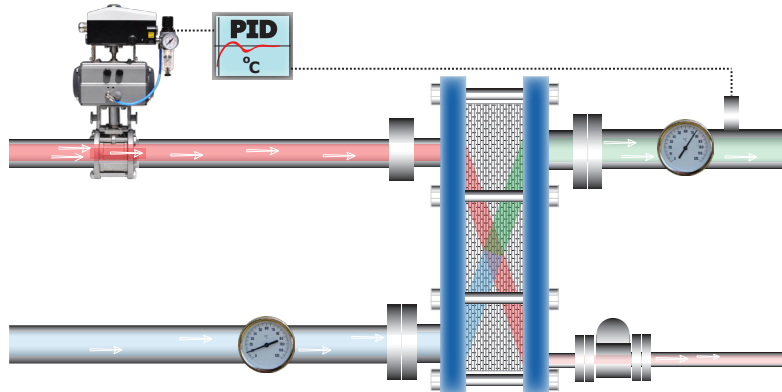
## APPLICATION

Flow control

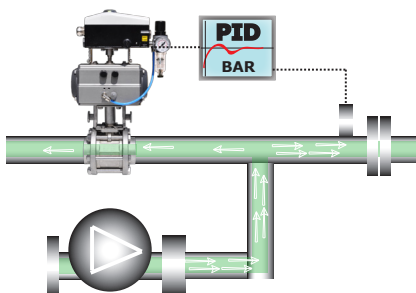


Temperature control on a heat exchanger.

Media type: Steam, hot, water, hot oil, ice water, glycol etc.



Pressure control / bypass valve

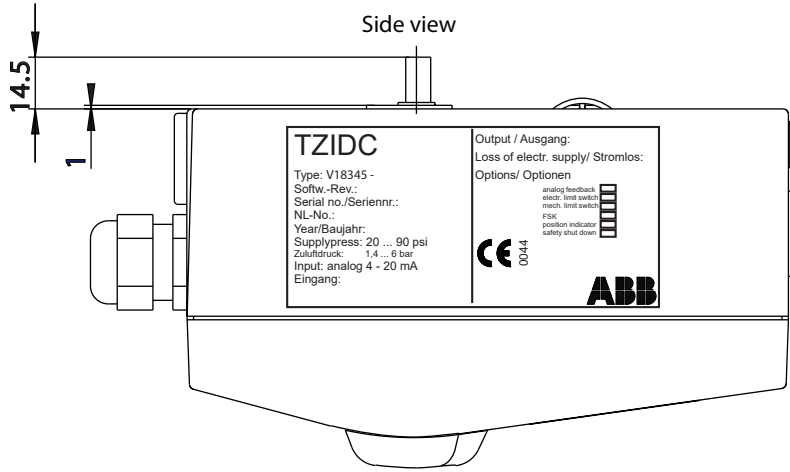


## DESCRIPTION

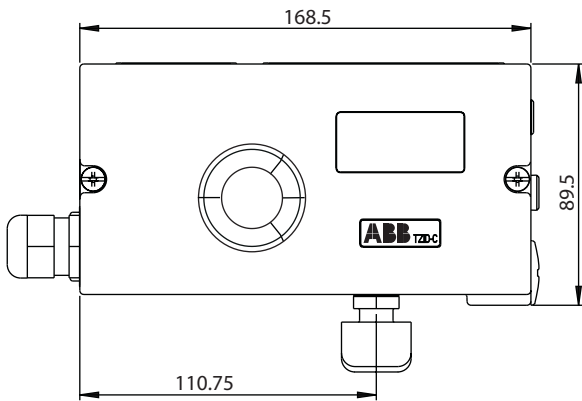
- Documented lowest air consumption on the market.
- Only needs to pull one cable (2 wires), as the TZID-C operates on 3,6 mA.
- 4-20 mA, 20-4 mA and split range.
- Flapper - Nozzle principle  
Advantages:  
Less sensitive to vibrations.  
Regulates on low supply air.
- Available with Profibus and Foundation Fieldbus.
- Easy initialisation - only needs one touch.
- Optimised algorithm for extremely fast and accurate positioning.
- Integrated diagnostical function.
- Available with Belzona coating for demanding environments.
- Robust design and function.
- Visual indicator.
- Large program span with many options.

**DIMENSIONS**

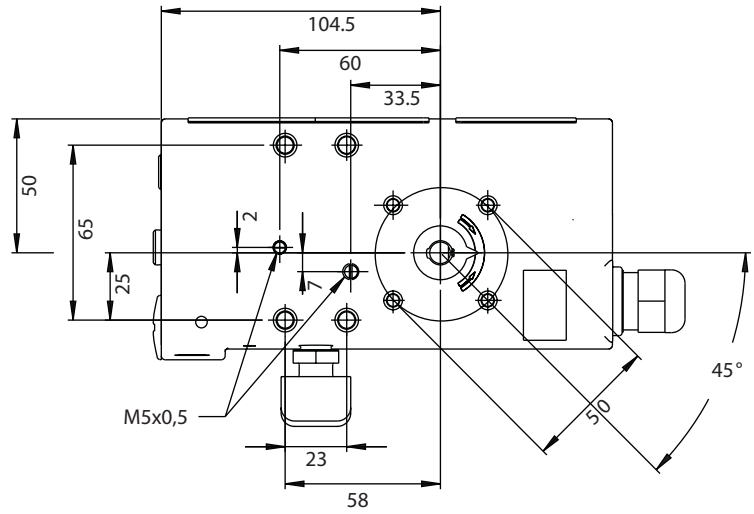
Side view



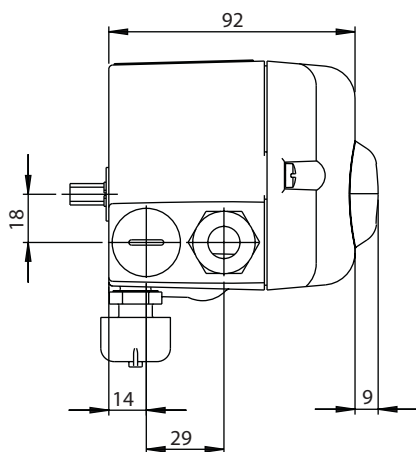
Top view



Rear view



Side view (from left)



Side view (from right)

