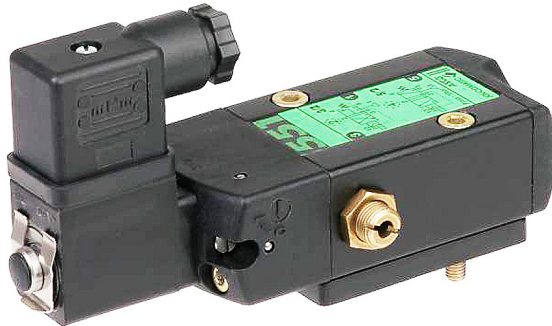


SOLENOID VALVE NAMUR 3/2 OR 5/2-WAY TYPE 5250

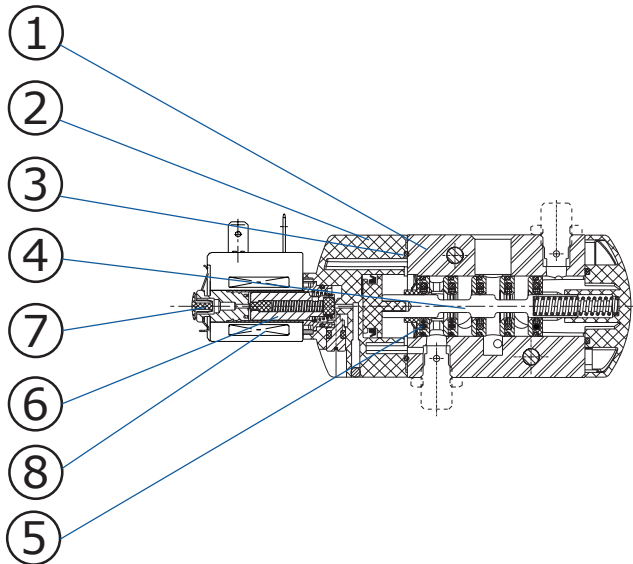


GENERAL

CONSTRUCTION:	3/2 OR 5/2 - WAY (VIA ADAPTOR)
FLOW:	700 L/MIN AT 6 BAR Kv = 0.75M ³ /H
PRESSURE SINGLE COIL:	2 TO 10 BAR
COILS:	24V DC, 24V AC, 230V AC
POWER CONSUMPTION:	24V DC - 2.5W(HOT) 3W(COLD) 24V AC/ 230V AC/ 50HZ - 2.5W
AMBIENT TEMPERATURE:	-25°C TO 60°C
CONNECTION:	NAMUR 1/4" INLET / 1/8" OUTLETS
MEDIUM:	AIR OR INERT GAS
AIR QUALITY:	DIN/ISO 8573-1 CLASS3
WIRE CONNECTION:	DIN 43650
PROTECTION CLASS - COIL:	IP65
SURFACE:	BLACK ANODIZED
APPROVALS:	CE, TÜV, SIL3, IEC 61508

OPTIONS

APPROVALS:	COMPLIANCE WITH UL, CSA AND OTHER LOCAL APPROVALS ON REQUEST
------------	---

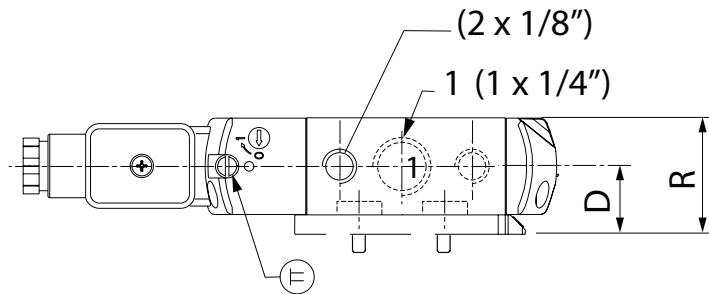
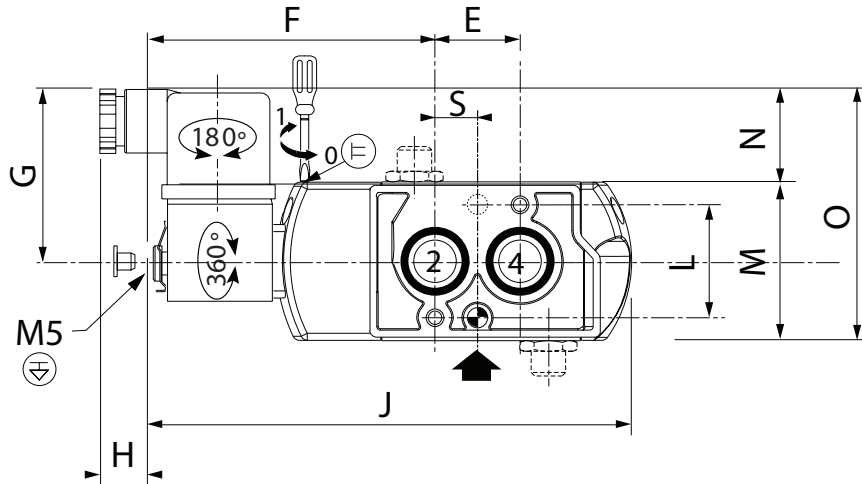


POS	DESCRIPTION	MATERIAL
1	BODY	ALUMINUM, BLACK ANODIZED
2	END COVER	PA, GLASS FILLED
3	INTERFACE PLATES	PA, GLASS FILLED
4	INTERNAL PARTS	ZAMAK, STAINLESS STEEL, POM, ALU
5	SEALS	NBR + PUR
6	CORE	STAINLESS STEEL
7	PLUG NUT	STAINLESS STEEL
8	SHADING COIL	COPPER

DESCRIPTION

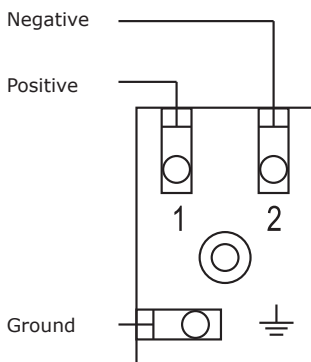
- **Robust industrial 5/2 or 3/2 way solenoid valve.**
- **NAMUR** standard for direct mounting on actuators.
- **Surface is hard anodized** as protection against corrosion.
- **Low temperature construction.** Can operate at -25°C.
- **IP65 enclosure** for outdoor use.
- **100% quality control.** Each solenoid valve is function tested and pressure tested.
- **Manuel operation** for use in testing or when lack of supply voltage.
- **The spring affected piston** ensures that the solenoid valve returns to its starting point at power failure.
- **Environmentally-protected construction.** Protection against ingress of liquids and dust.

DIMENSION



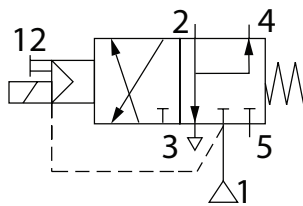
D [MM]	E [MM]	F [MM]	G [MM]	H [MM]	J [MM]	L [MM]	M [MM]	N [MM]	O [MM]	R [MM]	S [MM]	WEIGHT [KG]
19	24	83	49	13	139	32	45	27	72	33	12	0.34

WIRING DIAGRAM

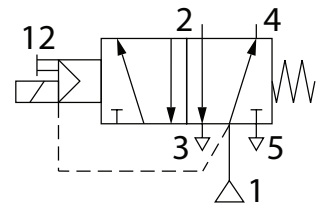


SYMBOL

3/2



5/2



NOTE:
THE WIRING DIAGRAM IS THE SAME FOR VDC AS WELL AS VAC.