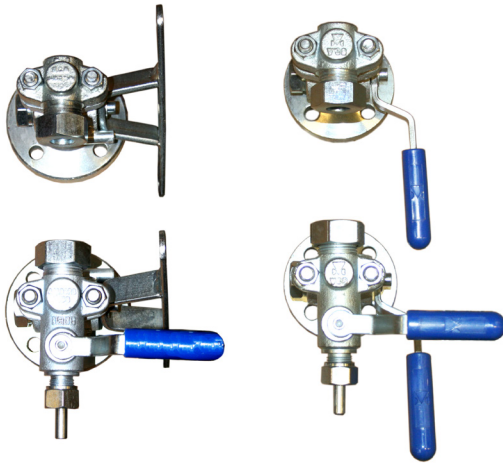


LEVEL GAUGE COCKS

TYPE 9300



armatec

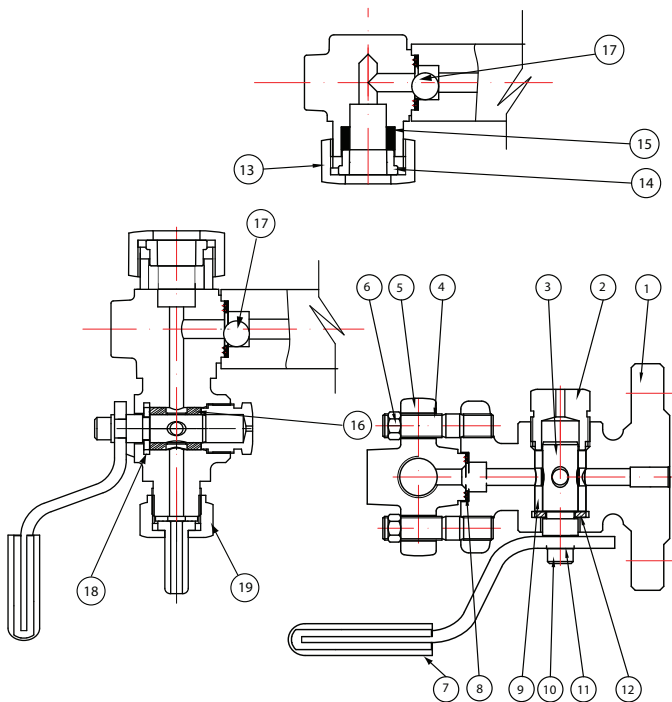


GENERAL

PRESSURE:	PN40
MATERIAL:	CARBON STEEL
CONNECTION:	DN20
OPERATION:	HANDLE

OPTIONS

CONNECTION:	DN25
	ANSI 300 TO 1500
MATERIAL:	STAINLESS STEEL
LEAKAGE CONTROL:	INTERNAL NON-RETURN DEVICE (BALL)



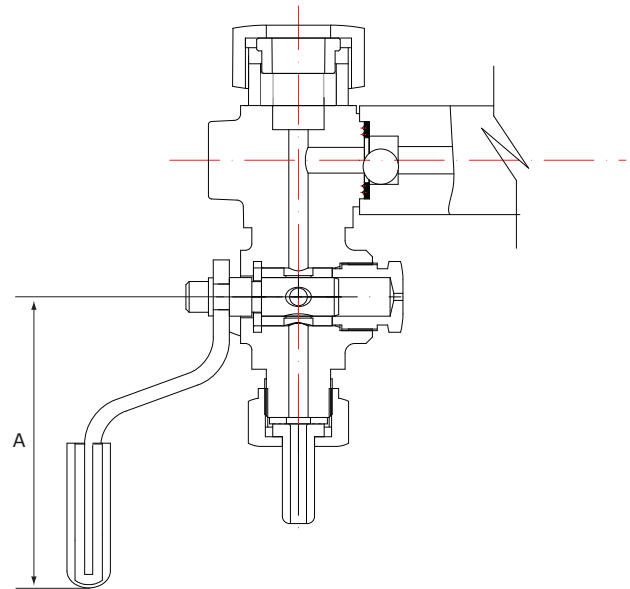
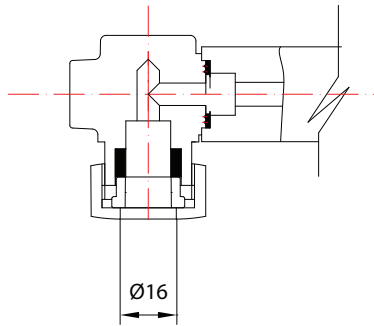
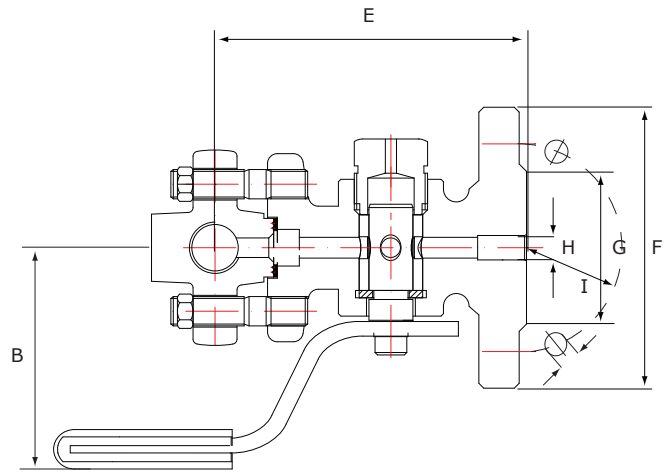
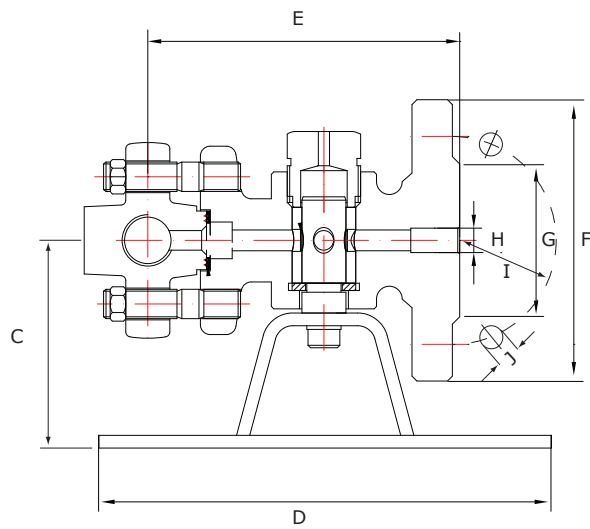
POS	DESCRIPTION	MATERIAL
1	BODY	ZG230-450
2	NUT	CARBON STEEL ASTM A576
3	COCK PLUG	AISI 316
4	STUD BOLT	STEEL
5	STUFFING BOX BODY	ZG230-450
6	HEXAGONAL NUT	STEEL
7	COCK HANDLE	CARBON STEEL #25
8	JOINT RING *	FIBER RING
9	PACKING SLEEVE (L18.2) *	GRAPHITE
10	SOCKET HEAD SCREW	STEEL
11	WASHER	STEEL
12	SPLIT RING (L18.2)	AISI 316
13	UNION RING	CARBON STEEL #25
14	THRUST RING	CARBON STEEL #25
15	PACKING SLEEVE (L16) *	GRAPHITE
16	PACKING SLEEVE (L12.2) *	GRAPHITE
17	LEAKAGE CONTROL	STEEL
18	SPLIT RING (L12.2)	AISI 316

* Included in the spare part kit.

DESCRIPTION

- **Suitable for water, steam and non-aggressive fluids.**
- **The cylinder gasket is reinforced** with rings of stainless steel which prevent the cylinder from being pressed into the passage after re-tightening. The rings also prevent corrosion.
- **Supplied with EN 10204 / 3.1 certifikat** and can be classified on request.
- **Every level gauge is pressure tested** by our staff at our own shop.

DIMENSIONS



DIMENSION	A	B	C	D	E	F	G	H	BORE			WEIGHT HANDLE TOP/BOTTOM [KG]	WEIGHT CHAIN DRIVE TOP/BOTTOM [KG]
									HOLES	I	J		
DN20 - PN40	165	80	90	200	125	105	75	10	4	75	12	3,0 / 3,6	3,2 / 4,0
DN25 - PN40	165	80	90	200	125	115	85	10	4	85	12	-	3,6 / 4,0

The level gauge is connected to the cock by a Ø 16 mm stopcock on the level gauge embedded in the packing of the cock.