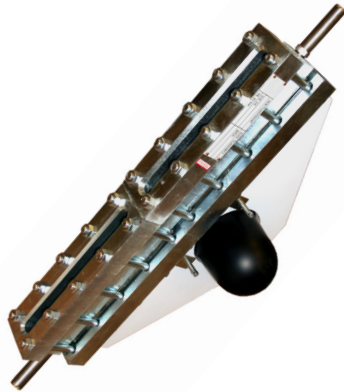


# TRANSPARENT LEVEL GAUGE

## TYPE 9030

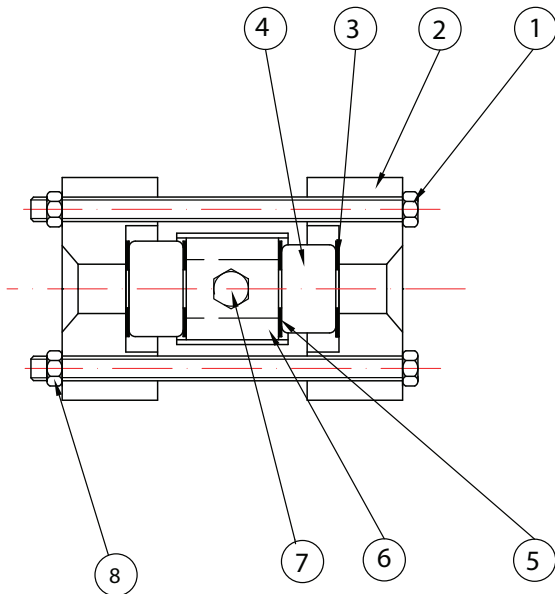


### GENEREL

PRESSURE: PN40  
 MATERIAL: CARBON STEEL  
 CONNECTION: Ø16 MM. END PIECE.  
 SIGHT LENGHT: MIN. 93 MM.  
 MAX. 2448 MM.

### OPTIONS

MATERIAL: STAINLESS STEEL  
 OPERATING: HAND LEVER



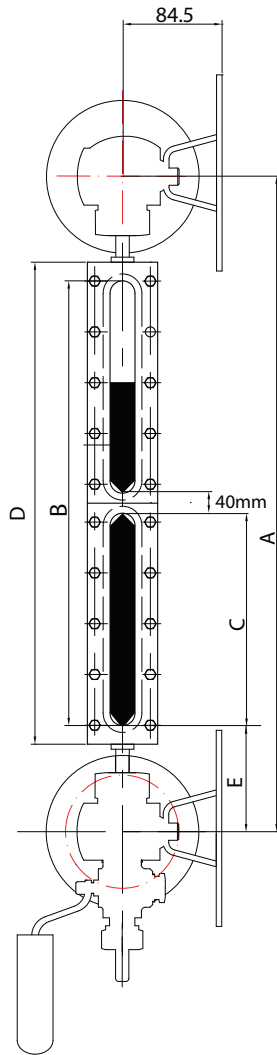
POS	DESCRIPTION	MATERIAL
1	BOLT	STEEL
2	FRONT (BACK) PLATE	CARBON STEEL 25#
3	GASKET *	NON-ASBESTOS FIBRE
4	GLASS *	BOROSILICATE GLASS
5	GASKET *	GRAPHITE
6	BODY	CARBON STEEL 20MN
7	PIPE CONNECTION	1CR18NI9TI
8	NUT	STEEL

\* Included in spare part set

### DESCRIPTION

- **Used to display the liquid level** in marine and land-based boilers. Suitable for steam, water and non aggressive liquids.
- **Level gauge of transparent type** shows the level by means of transparent glass and an illuminator.
- **Supplied with EN10204/3.1 certificate.** Dansk Ventil Center A/S are continuously these fixtures approved by classification companies.
- **100% pressure test** on level gauge carried out in our own workshop.

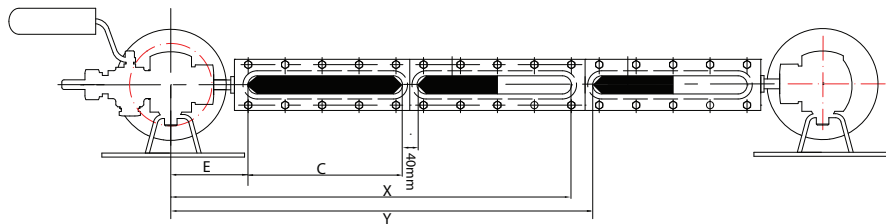
## DIMENSIONS



WEIGHT INCLUDED TOP / BOTTOM COCKS

SIZE	A [MM] STANDARD	A [MM] MINIMUM	B [MM]	C [MM]	D [MM]	E [MM]	WEIGHT [KG]
1 x 2	260	260	116	116	153	71,5	-
1 x 3	285	285	141	141	178	71,5	-
1 x 4	310	310	166	166	203	71,5	-
1 x 5	340	340	196	196	233	71,5	-
1 x 6	370	370	226	226	263	71,5	18,0
1 x 7	400	400	256	256	293	71,5	18,5
1 x 8	440	440	296	296	333	71,5	20,5
1 x 9	525	460	313	313	353	104	22,5
2 x 4	525	515	367	166	406	77,5	-
2 x 5	575	575	427	196	466	72,5	-
2 x 6	700	635	489	226	526	105	28,0
2 x 7	695	695	549	256	586	72,5	29,0
2 x 8	800	775	628	296	666	85	33,0
2 x 9	815	815	668	313	706	72,5	37,0
3 x 6	950	900	751	226	789	98,5	38,0
3 x 7	990	990	841	256	879	73,5	39,5
3 x 8	1110	1110	961	296	999	73,5	45,5
3 x 9	1200	1170	1021	313	1059	88,5	51,5
4 x 7	1300	1285	1134	256	1172	82	50,0
4 x 8	1450	1445	1294	296	1332	77	58,0
4 x 9	1525	1525	1374	313	1412	74,5	66,0
5 x 7	1580	1580	1427	256	1465	75,5	60,5
5 x 8	1780	1780	1627	296	1665	75,5	70,5
5 x 9	1880	1880	1727	313	1765	75,5	80,5
6 x 8	2115	2115	1960	296	1998	76,5	83,0
6 x 9	2235	2235	2080	313	2118	76,5	95,0
7 x 9	2590	2590	2433	313	2471	77,5	109,5

## CALCULATION OF MODULES



This example shows how to find the blind spots on the level gauge by calculation on a size 3x6:

$$X = 98,5 + 226 + 40 + 226 = 590,5 \text{ mm}$$

$$Y = 98,5 + 226 + 40 + 226 + 40 = 630,5 \text{ mm}$$

**Note:** The above calculation is only for use with the "A Standard" dimension.