

# DAMPER

## TYPE 2701

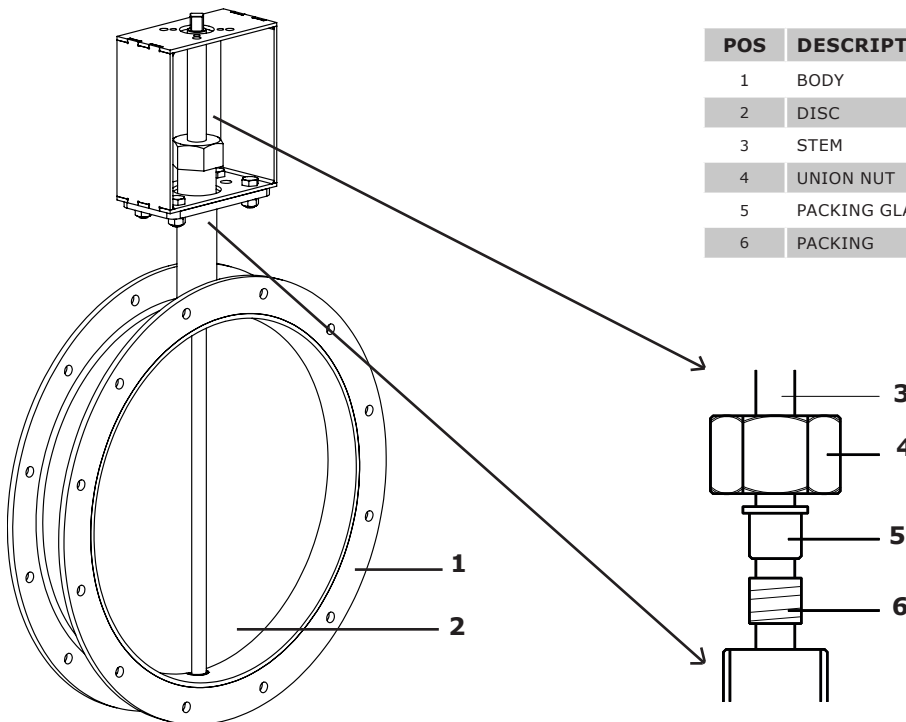


### GENERAL

|             |  |
|-------------|--|
| DIMENSIONS: | DN 71 - DN 2000                              |
| MATERIAL:   | BODY: ST. 37<br>DISC: ST. 37<br>STEM: 1.4305 |
| SURFACE:    | ANTI CORROSION PAINT                         |
| OPERATION:  | FREE STEM WITH CONSOLE                       |
| FLANGES:    | AIR TECHNICAL FLANGES DIN 24154 PART 2       |

### OPTIONS

|            |  |
|------------|--|
| OPERATION: | FORM A - FREE STEM<br>FORM F - ADJUSTABLE, LOCKABLE HANDLE<br>FORM G - GEAR BOX<br>FORM P - PNEUMATIC ACTUATOR<br>FORM E - ELECTRICAL ACTUATOR |
| MATERIAL:  | BODY: STAINLESS STEEL<br>DISC: STAINLESS STEEL   |

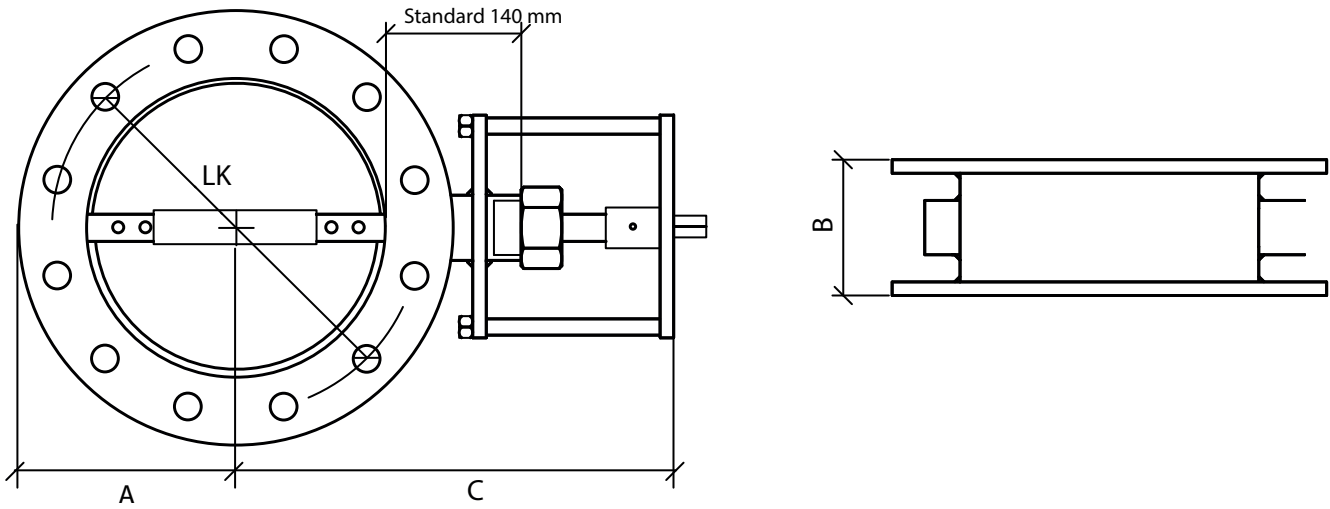


| POS | DESCRIPTION   | MATERIALS                |
|-----|---------------|--------------------------|
| 1   | BODY          | ST. 37                   |
| 2   | DISC          | ST. 37                   |
| 3   | STEM          | STAINLESS STEEL - 1.4305 |
| 4   | UNION NUT     | BRASS                    |
| 5   | PACKING GLAND | BRASS                    |
| 6   | PACKING       | GRAPHITE                 |

### DESCRIPTION

- **High quality industrial damper**, for high temperature air and flue-gas systems.
- **3 different seat types**, depending on the acceptable leakage rate.
- **Extensive choice of materials** provides for many applications.
- **Simple, reliable construction**, results in a cost-effective valve.
- **ISO 5211 mounting flanges** and 45° square stem enable direct mounting of actuators without the use of brackets or couplings.
- **Multi adjustable/lockable handle**, with readable scale as an option.
- **Different options for operation**, e.g. pneumatic or electrical actuator.

**DIMENSIONS**



**DAMPER DATA**

| DN   | B   | Stem Ø | Disc thickness | LK   | A      | C +/-20 | Holes  |          | Max. diff. pressure [mbar] | Torque [Nm] |     |     |
|------|-----|--------|----------------|------|--------|---------|--------|----------|----------------------------|-------------|-----|-----|
|      |     |        |                |      |        |         | Number | Diameter |                            |             |     |     |
| 71   | 70  | 12     | 3              | 110  | 66.5   | 336.5   | 4      | 9,5      | 200                        | 10          |     |     |
| 80   | 70  | 12     | 3              | 118  | 71.0   | 341.0   |        |          | 200                        | 10          |     |     |
| 90   | 70  | 12     | 3              | 128  | 76.0   | 346.0   |        |          | 200                        | 10          |     |     |
| 100  | 70  | 12     | 3              | 139  | 81.0   | 351.0   |        |          | 200                        | 15          |     |     |
| 112  | 70  | 12     | 3              | 151  | 87.0   | 357.0   |        |          | 200                        | 15          |     |     |
| 125  | 70  | 12     | 3              | 165  | 93.5   | 363.5   |        |          | 200                        | 15          |     |     |
| 140  | 70  | 12     | 3              | 182  | 106.0  | 371.0   | 8      | 11,5     | 100                        | 20          |     |     |
| 150  | 70  | 12     | 3              | 191  | 111.0  | 376.0   |        |          | 100                        | 20          |     |     |
| 160  | 70  | 16     | 4              | 200  | 116.0  | 381.0   |        |          | 100                        | 20          |     |     |
| 180  | 70  | 16     | 4              | 219  | 126.0  | 391.0   |        |          | 100                        | 20          |     |     |
| 200  | 70  | 16     | 4              | 241  | 136.5  | 401.5   |        |          | 100                        | 20          |     |     |
| 224  | 70  | 16     | 4              | 265  | 148.5  | 413.5   |        |          | 100                        | 20          |     |     |
| 250  | 70  | 16     | 4              | 292  | 161.5  | 426.5   |        |          | 100                        | 20          |     |     |
| 280  | 85  | 20     | 5              | 332  | 181.5  | 441.5   |        |          | 100                        | 35          |     |     |
| 300  | 85  | 20     | 5              | 349  | 191.5  | 451.5   |        |          | 100                        | 35          |     |     |
| 315  | 85  | 20     | 5              | 366  | 199.0  | 459.0   |        |          | 100                        | 35          |     |     |
| 355  | 85  | 20     | 5              | 405  | 219.0  | 479.0   |        |          | 100                        | 35          |     |     |
| 400  | 85  | 20     | 5              | 448  | 242.0  | 502.0   |        |          | 12                         | 14          | 100 | 35  |
| 450  | 85  | 20     | 5              | 497  | 267.0  | 527.0   | 100    | 35       |                            |             |     |     |
| 500  | 85  | 20     | 5              | 551  | 292.0  | 552.0   | 100    | 40       |                            |             |     |     |
| 560  | 100 | 25     | 6              | 629  | 332.0  | 582.0   | 16     | 18       |                            |             | 100 | 120 |
| 600  | 100 | 25     | 6              | 665  | 353.0  | 603.0   |        |          |                            |             | 100 | 120 |
| 630  | 100 | 25     | 6              | 698  | 367.0  | 617.0   |        |          |                            |             | 100 | 120 |
| 710  | 100 | 25     | 6              | 775  | 407.0  | 657.0   |        |          | 24                         | 18          | 70  | 150 |
| 800  | 100 | 30     | 6              | 861  | 452.0  | 702.0   |        |          |                            |             | 70  | 150 |
| 900  | 100 | 30     | 6              | 958  | 502.0  | 752.0   |        |          |                            |             | 70  | 150 |
| 1000 | 100 | 30     | 6              | 1067 | 552.5  | 802.5   | 32     | 18       |                            |             | 40  | 190 |
| 1120 | 140 | 40     | 6              | 1200 | 622.5  | 862.5   |        |          |                            |             | 30  | 240 |
| 1250 | 140 | 40     | 6              | 1337 | 687.5  | 927.5   |        |          |                            |             | 25  | 300 |
| 1400 | 140 | 40     | 6              | 1475 | 762.5  | 1002.5  |        |          | 40                         | 18          | 20  | 400 |
| 1600 | 140 | 40     | 8              | 1675 | 862.5  | 1102.5  |        |          |                            |             | 15  | 500 |
| 1800 | 140 | 40     | 8              | 1875 | 962.5  | 1202.5  |        |          |                            |             | 10  | 500 |
| 2000 | 140 | 40     | 8              | 2073 | 1062.5 | 1302.5  |        |          |                            |             |     |     |

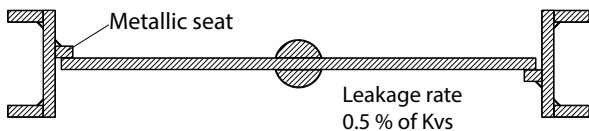
**KV-VALUES**

| DN   | Kv (60°) | Kv (90°) |
|------|----------|----------|
| 71   | 88       | 130      |
| 80   | 132      | 210      |
| 100  | 225      | 380      |
| 125  | 360      | 660      |
| 150  | 520      | 1000     |
| 200  | 990      | 2080     |
| 250  | 1570     | 3300     |
| 300  | 2290     | 4750     |
| 350  | 3000     | 6400     |
| 400  | 3900     | 8400     |
| 450  | 4900     | 10500    |
| 500  | 6100     | 13500    |
| 600  | 8800     | 19000    |
| 700  | 12000    | 25000    |
| 800  | 15600    | 33500    |
| 900  | 19500    | 43000    |
| 1000 | 24500    | 54000    |
| 1100 | 29500    | 64000    |
| 1200 | 35000    | 78000    |
| 1400 | 47500    | 105000   |
| 1600 | 63000    | 133000   |
| 1800 | 81500    | 175000   |
| 2000 | 100000   | 210000   |

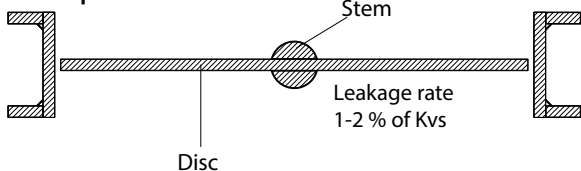
**MAX. TEMPERATURES**

| MATERIAL            | MAX. TEMP [°C] |
|---------------------|----------------|
| BRASS               | 150            |
| ST37-2              | 280            |
| 1.4301              | 450            |
| GG25                | 350            |
| GGG40               | 450            |
| GGG40 NICKLE-PLATED | 550            |
| ALU 226             | 150            |
| 1.4828              | 950            |

**Standard build: With metallic seat**



**Option I: Without seat**



**Option II: With graphite sealing list**

