

BRACKET FOR INDUCTIVE SWITCH

TYPE 5710 FOR MOUNTING ON BALL VALVE 1111/1211/1311

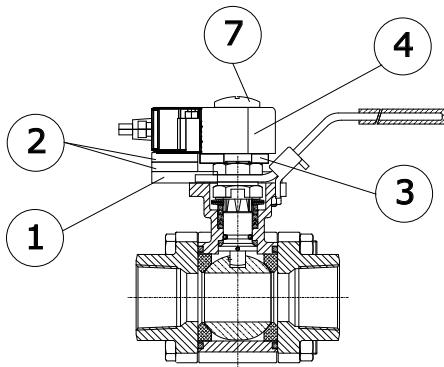


GENERAL

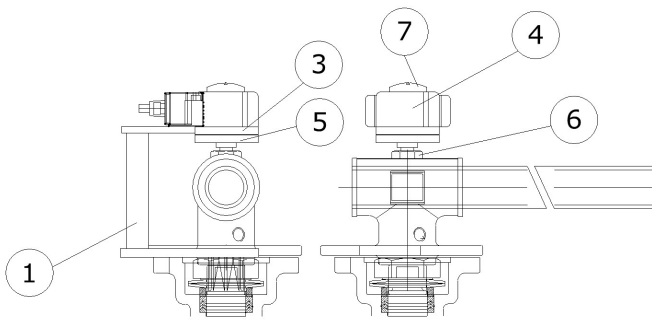
| | |
|-----------------------|---|
| ISO FLANGE: | F04 DN10FB - 25RB F05 DN25FB - 40RB F07 DN40FB - 65RB F10 DN65FB - 100FB |
| MATERIAL - BRACKET: | STAINLESS STEEL AISI 304 |
| MATERIAL - INDICATOR: | ABS/AISI 304 |

OPTION

| | |
|-----------|--------------------------|
| MATERIAL: | STAINLESS STEEL AISI 316 |
|-----------|--------------------------|



DN15RB-65RB



DN65FB-100FB

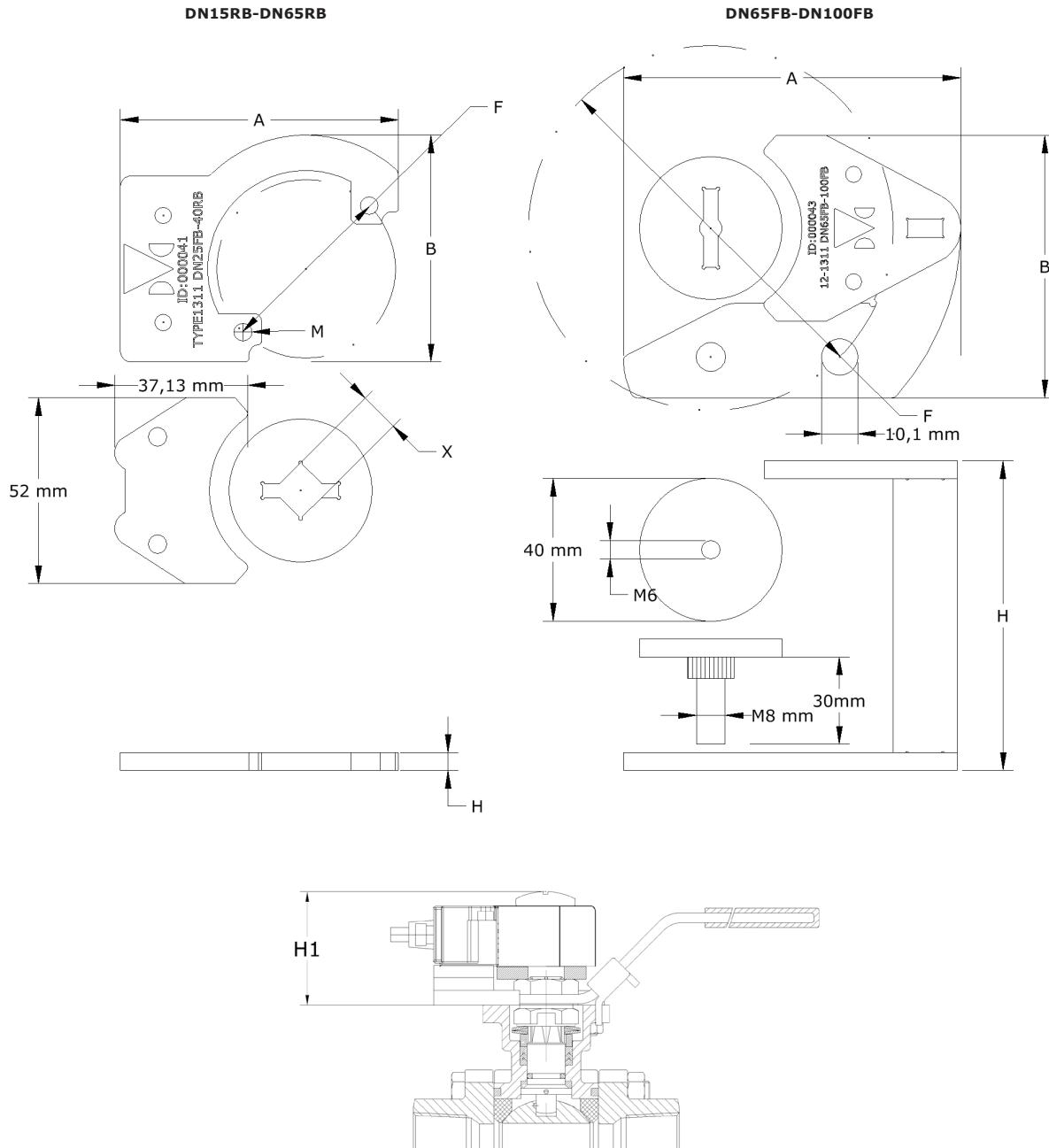
| POS | DESCRIPTION | MATERIALS |
|-----|-----------------------|--------------------------|
| 1 | BRACKET | STAINLESS STEEL AISI 304 |
| 2 | DISTANCE PIECE | STAINLESS STEEL AISI 304 |
| 3 | ADAPTOR FOR INDICATOR | STAINLESS STEEL AISI 304 |
| 4 | INDICATOR | ABS/AISI 304 |
| 5 | ADAPTOR BASE | STAINLESS STEEL AISI 304 |
| 6 | LOCKING NUT | STAINLESS STEEL AISI 304 |
| 7 | INDICATOR SCREW | ABS/AISI 304 |

DESCRIPTION

- **Quality Bracket** - for inductive switch. Suitable for Type 5300.
- **Robust construction** - 5-6mm AISI 304.
- **Corrosion resistance** - made from corrosion resistant stainless steel.
- **Easy mounting** - only requires M6 thread in ball valve stem.
- **Compact design** - only requires a minimum of height above ball valve.
- **Perfect 90° turn** - due to design the handle will automatically stop at exactly 0° and 90°. No modification of handle needed. Handle lock can still be used.

DS-5710-32-UK-06-2016-REV. B
We reserve the right for changes.

DIMENSIONS



| DIMENSION 1111/1211/1311 | | | | BRACKET | | | ISO CONNECTIONS | | ADAPTOR | HEIGHT ABOVE ISO-TOP |
|-----------------------------|-----------|-------|--------|-----------|-----------|-----------|-----------------|--------|-----------|-------------------------|
| REDUCED BORE | FULL BORE | | | A [MM] | B [MM] | H [MM] | ØF [MM]/F | M | X [MM] | H1 [MM] |
| DN15 | 1/2" | DN10 | 3/8" | 73.5 | 52 | 5 | 42/F04 | 2 X M5 | 9 | 37.6 |
| DN20 | 3/4" | DN15 | 1/2" | 73.5 | 52 | 5 | 42/F04 | 2 X M5 | 9 | 37.6 |
| DN25 | 1" | DN20 | 3/4" | 73.5 | 52 | 5 | 42/F04 | 2 X M5 | 9 | 38.6 |
| DN32 | 1 1/4" | DN25 | 1" | 77.9 | 63.5 | 5 | 50/F05 | 2 X M6 | 11 | 40.4 |
| DN40 | 1 1/2" | DN32 | 1 1/4" | 77.9 | 63.5 | 5 | 50/F05 | 2 X M6 | 11 | 40.4 |
| DN50 | 2" | DN40 | 1 1/2" | 85.5 | 87.3 | 6 | 70/F07 | 2 X M8 | 14 | 53.4 |
| DN65 | 2 1/2" | DN50 | 2" | 85.5 | 87.3 | 6 | 70/F07 | 2 X M8 | 14 | 53.4 |
| DN80 | 3" | DN65 | 2 1/2" | 94.5 | 57.5 | 87 | 102/F10 | - | - | 112.0 |
| DN100 | 4" | DN80 | 3" | 94.5 | 57.5 | 87 | 102/F10 | - | - | 112.0 |
| | | DN100 | 4" | 94.5 | 57.5 | 87 | 102/F10 | - | - | 112.0 |

DN15-65RB: If mounting kits are ordered for existing valves, the customer must fit M6 thread hole to the valve stem.
DN65FB-100FB: Handle has already M8 thread hole. Adjustment/Cutting of the M8 adaptor length may be required.